

NOTES: UNLESS OTHERWISE SPECIFIED

1. [-OAI-] IS THE THEORETICAL OPTIC AXIS OF THE FIRST OPTIC SURFACE.
2. MATERIAL: D-ZLAF52LA(m)
HOLDER MATERIAL: SF20F-SST
3. ASPHERIC SURFACES ARE DEFINED BY:

$$z(r) = \frac{r^2/R_c}{1 + \sqrt{1 - (1 + K)(r/R_c)^2}} + \sum_i A_{2i}r^{2i}$$

WHERE: Y= RADIAL DISTANCE FROM VERTEX IN mm

4. SURFACE DEFINITIONS:

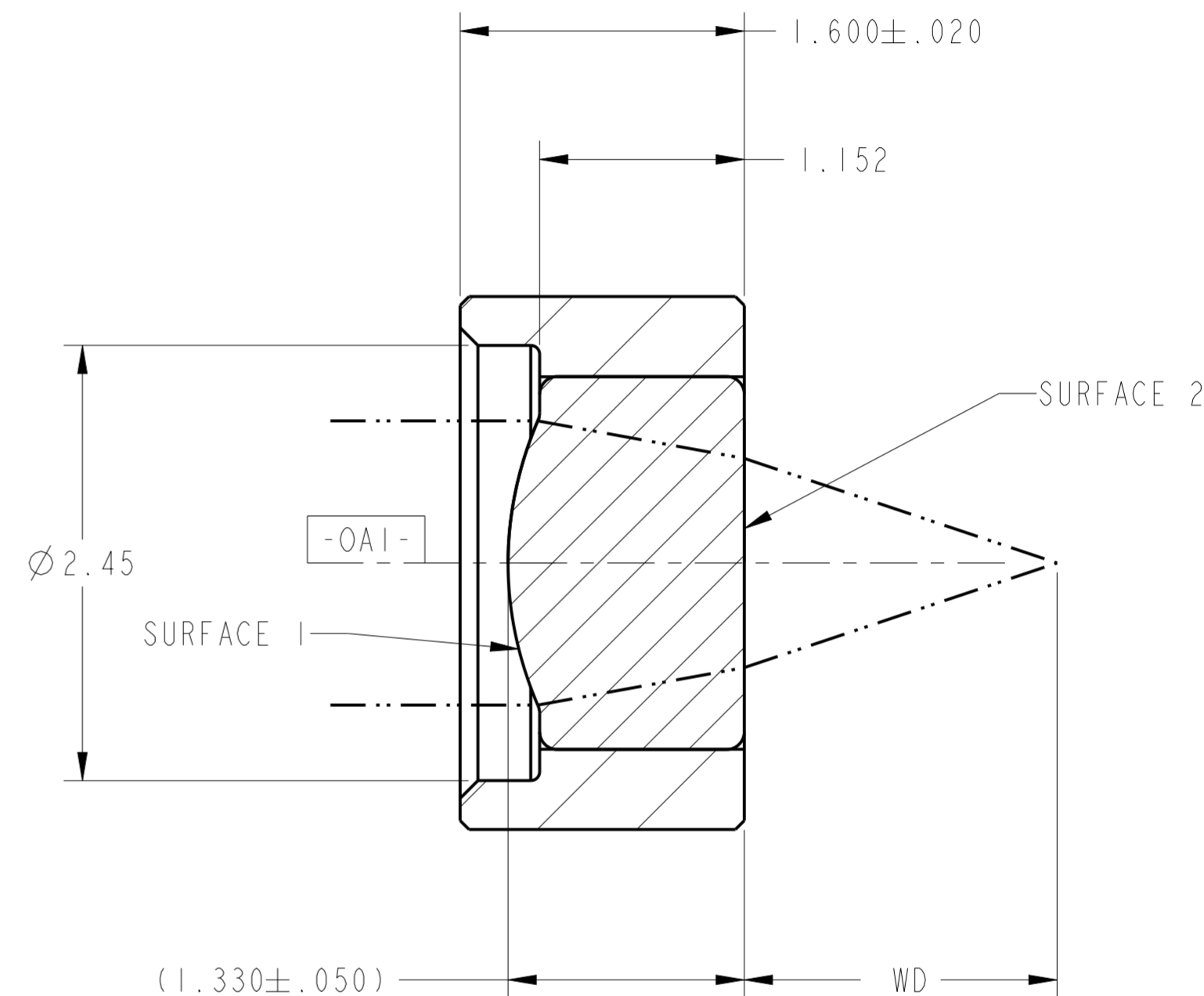
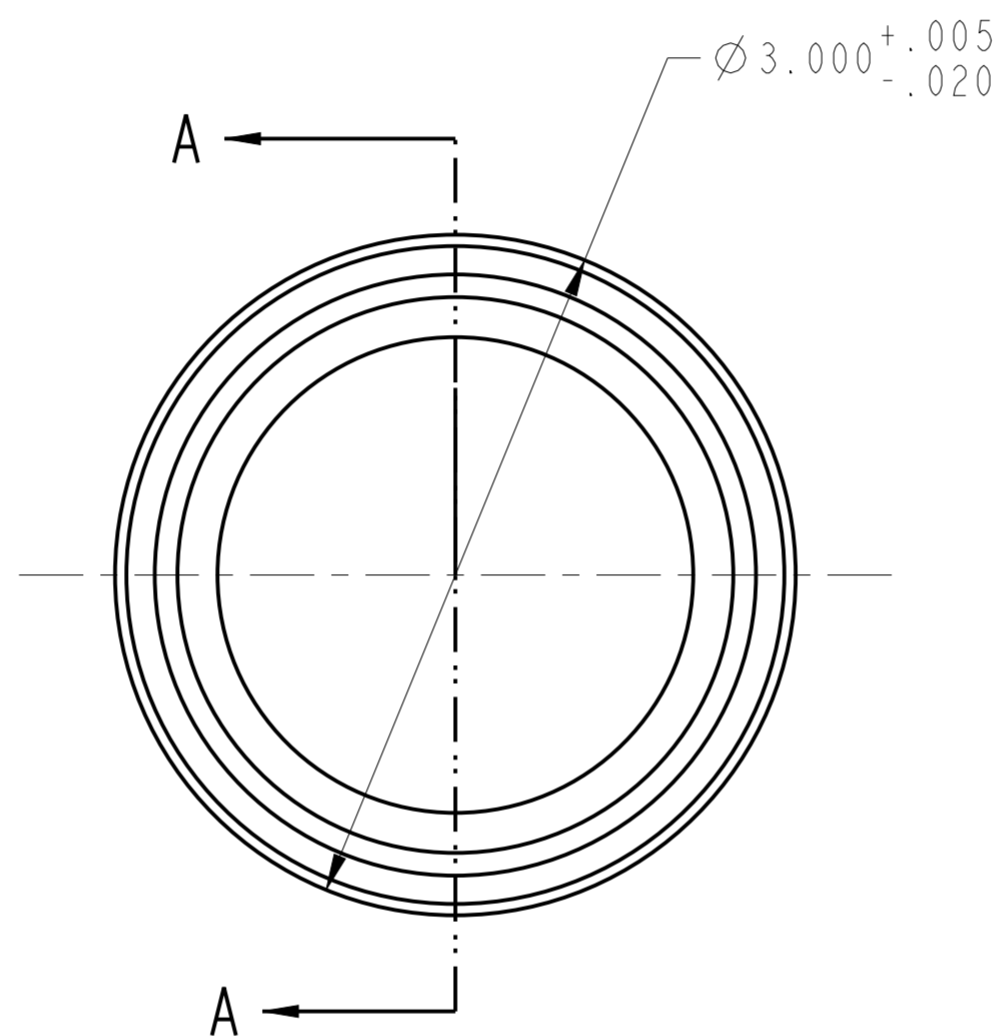
	SURFACE 1	SURFACE 2
TYPE	ASPHERE	PLANO
SHAPE	CX	PL
CA	∅1.60	∅1.18
R _C	1.945724	PLANO
K	-0.967088	0.000000
A ₂	0.000000E0	0.000000E0
A ₄	6.142326E-3	0.000000E0
A ₆	-1.051349E-5	0.000000E0
A ₈	-4.334346E-5	0.000000E0
A ₁₀	0.000000E0	0.000000E0
A ₁₂	0.000000E0	0.000000E0
A ₁₄	0.000000E0	0.000000E0
A ₁₆	0.000000E0	0.000000E0

5. NOMINAL DESIGN PARAMETERS.

DESIGN WAVELENGTH	1550 nm
W.D.	1.8 mm
N.A.	0.3
E.F.L.	2.5mm

6. FEATURES IDENTIFIED AS Ⓒ ARE CRITICAL CHARACTERISTICS. CRITICAL CHARACTERISTICS ARE GUARANTEED IN PRODUCTION.
7. THIS ELEMENT MUST MEET THE SCRATCH/DIG REQUIREMENTS ACROSS THE FULL CLEAR APERTURES INDICATED, BOTH SIDES, PER LIGHTPATH PWI INS-8.2-05P6.Ⓒ
-00: S/D: 40/20
8. THIS ELEMENT IS USED AS A COLLIMATING LENS.
WAVEFRONT ERROR: @ 100% APERTURE < 0.070 WAVES RMS @ 632.8nm;
@ 50% APERTURE < 0.250 WAVES P-V
PER LIGHTPATH PWI INS-8.2-13.Ⓒ

REVISION HISTORY				
REV	DCO	DESCRIPTION	DATE	INITIALS
A	2251	INITIAL RELEASE	11/30/09	ASYMMONS
B	4389	UPDATED FORMAT	12/29/15	PL
C	5294	HOLDER MATERIAL WAS 416SS	03/20/18	MW



SECTION A-A

UNLESS OTHERWISE SPECIFIED
DIMENSIONS ARE IN MM.
DECIMAL TOLERANCES ARE:
.X ± 0.25
.XX ± 0.10
.XXX ± 0.025
.XXXX ± 0.013
ANGLES: ± 0.5°

LightPath
TECHNOLOGIES

2603 CHALLENGER TECH CT. SUITE 100
ORLANDO, FL 32826

PROPRIETARY INFORMATION
THIS DOCUMENT CONTAINS PROPRIETARY INFORMATION OF LIGHTPATH TECHNOLOGIES AND IS NOT TO BE DISCLOSED OR REPRODUCED IN WHOLE OR PART, OR USED FOR MANUFACTURING FOR ANYONE OTHER THAN LIGHTPATH TECHNOLOGIES WITHOUT ITS WRITTEN CONSENT. NO RIGHT IS GRANTED TO DISCLOSE OR USE ANY INFORMATION CONTAINED IN SAID DOCUMENT.

DRAWN
ASYMMONS\ORL

TITLE
LENS CODE 355945

MATERIAL
SEE NOTES

SIZE
A2

DWG NO
0355945

REV
C

SOFTWARE
Pro/ENGINEER

SCALE:
30.00

THIRD ANGLE PROJECTION



SHEET
1 OF 1



DWG NO 0355945