

NOTES: UNLESS OTHERWISE SPECIFIED

1. [-OAI-] IS THE THEORETICAL OPTIC AXIS OF THE FIRST OPTIC SURFACE.
2. MATERIAL: D-ZLAF52LA(m)
HOLDER MATERIAL: SF20F SST
3. ASPHERIC SURFACES ARE DEFINED BY:

$$z(r) = \frac{r^2/R_c}{1 + \sqrt{1 - (1 + K)(r/R_c)^2}} + \sum_i A_{2i}r^{2i}$$

WHERE: Y= RADIAL DISTANCE FROM VERTEX IN mm

4. SURFACE DEFINITIONS:

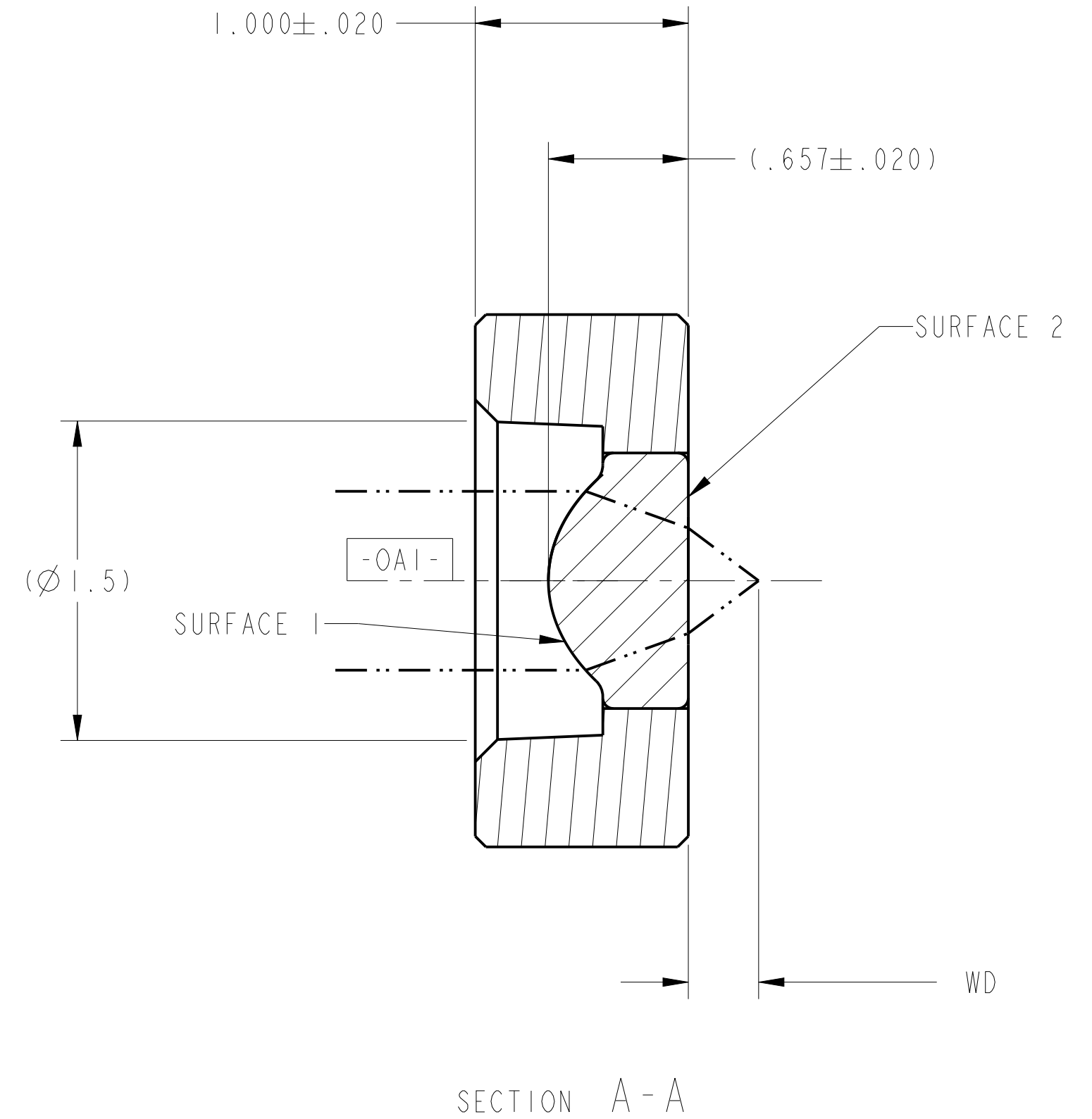
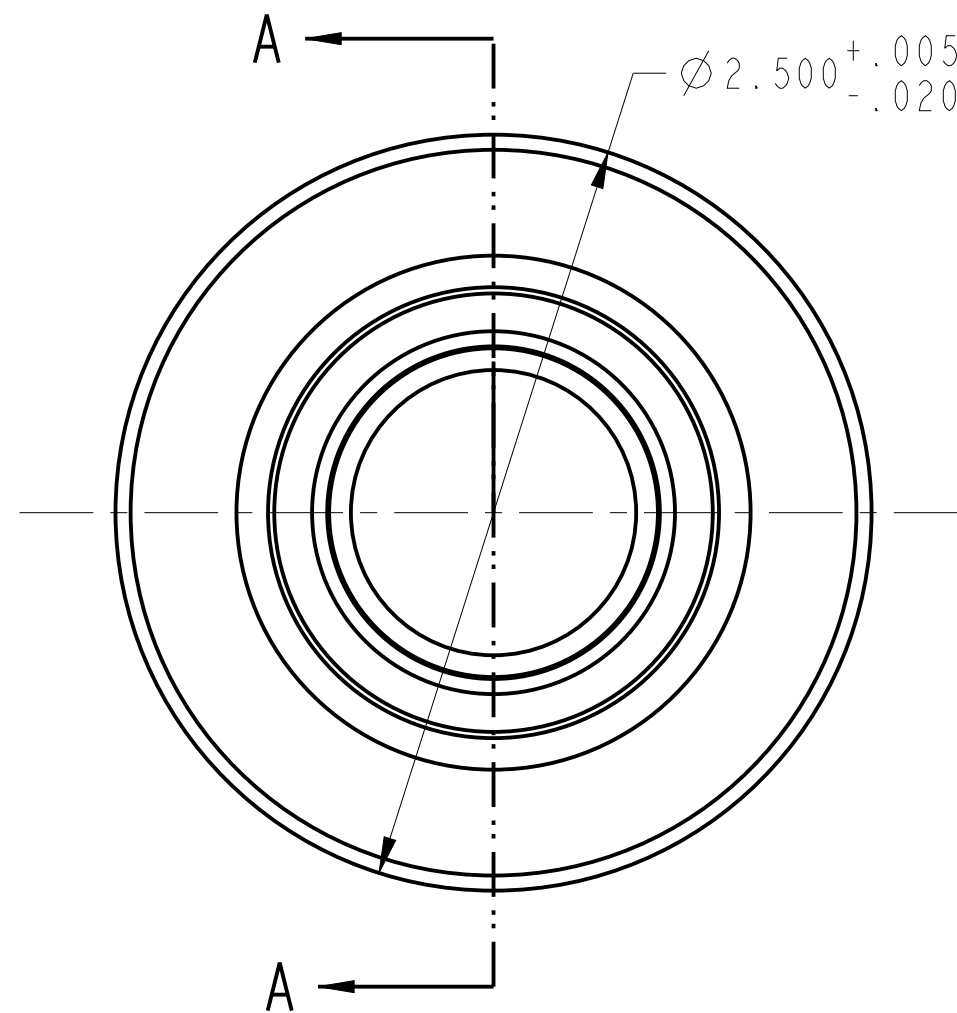
	SURFACE 1	SURFACE 2
TYPE	ASPHERE	PLANO
SHAPE	CX	PL
CA	∅0.84	∅0.49
R _C	0.542632	PLANO
K	-0.556327	0.000000
A ₂	0.000000E0	0.000000E0
A ₄	3.563023E-2	0.000000E0
A ₆	-1.098232E-1	0.000000E0
A ₈	-4.321227E-1	0.000000E0
A ₁₀	-5.483128E-1	0.000000E0
A ₁₂	-2.280850E0	0.000000E0
A ₁₄	2.215896E0	0.000000E0
A ₁₆	0.000000E0	0.000000E0

5. NOMINAL DESIGN PARAMETERS.

DESIGN WAVELENGTH	1550 nm
W.D.	0.3 mm
N.A.	0.6
E.F.L.	0.7mm

6. FEATURES IDENTIFIED AS Ⓒ ARE CRITICAL CHARACTERISTICS. CRITICAL CHARACTERISTICS ARE GUARANTEED IN PRODUCTION.
7. THIS ELEMENT MUST MEET THE SCRATCH/DIG REQUIREMENTS ACROSS THE FULL CLEAR APERTURES INDICATED, BOTH SIDES, PER LIGHTPATH PWI INS-8.2-05P6.Ⓒ
-00: S/D: 40/20
8. THIS ELEMENT IS USED AS A COLLIMATING LENS.
WAVEFRONT ERROR: @ 100% APERTURE < 0.150 WAVES RMS @ 632.8nm;
@ 50% APERTURE < 0.270 WAVES P-V
PER LIGHTPATH PWI INS-8.2-13.Ⓒ

REVISION HISTORY				
REV	DCO	DESCRIPTION	DATE	INITIALS
A	2192	INITIAL RELEASE	08/11/09	ASYMMONS
B	4388	UPDATED FORMAT	12/28/15	PL
C	5243	MATERIAL WAS SS 304L	02/01/18	MW



UNLESS OTHERWISE SPECIFIED DIMENSIONS ARE IN MM. DECIMAL TOLERANCES ARE: .X ± 0.25 .XX ± 0.10 .XXX ± 0.025 .XXXX ± 0.013 ANGLES: ± 0.5°		LightPath <small>TECHNOLOGIES</small> 2603 CHALLENGER TECH CT. SUITE 100 ORLANDO, FL 32826		PROPRIETARY INFORMATION THIS DOCUMENT CONTAINS PROPRIETARY INFORMATION OF LIGHTPATH TECHNOLOGIES AND IS NOT TO BE DISCLOSED OR REPRODUCED IN WHOLE OR PART, OR USED FOR MANUFACTURING FOR ANYONE OTHER THAN LIGHTPATH TECHNOLOGIES WITHOUT ITS WRITTEN CONSENT. NO RIGHT IS GRANTED TO DISCLOSE OR USE ANY INFORMATION CONTAINED IN SAID DOCUMENT.
DRAW ASYMMONS\ORL		TITLE LENS CODE 355880		
MATERIAL SEE NOTES	SIZE A2	DWG NO 0355880	REV C	
SOFTWARE Pro/ENGINEER	SCALE: 40.00	THIRD ANGLE PROJECTION	SHEET 1 OF 1	

DWG NO 0355880