

NOTES: UNLESS OTHERWISE SPECIFIED

1. [-OAI-] IS THE THEORETICAL OPTIC AXIS OF THE FIRST OPTIC SURFACE.
2. MATERIAL: D-ZLAF52LA(m)
HOLDER MATERIAL: SF20F-SST
3. ASPHERIC SURFACES ARE DEFINED BY:

$$z(r) = \frac{r^2/R_c}{1 + \sqrt{1 - (1 + K)(r/R_c)^2}} + \sum_i A_{2i} r^{2i}$$

WHERE: Y= RADIAL DISTANCE FROM VERTEX IN mm

4. SURFACE DEFINITIONS:

	SURFACE 1	SURFACE 2
TYPE	ASPHERE	PLANO
SHAPE	CX	PL
CA	∅0.71	∅0.46
R _C	0.590484	PLANO
K	-0.507696	0.000000
A ₂	0.000000E0	0.000000E0
A ₄	-3.093229E-2	0.000000E0
A ₆	-1.752143E-1	0.000000E0
A ₈	-3.232545E-1	0.000000E0
A ₁₀	-5.361490E-1	0.000000E0
A ₁₂	0.000000E0	0.000000E0
A ₁₄	0.000000E0	0.000000E0
A ₁₆	0.000000E0	0.000000E0

5. NOMINAL DESIGN PARAMETERS.

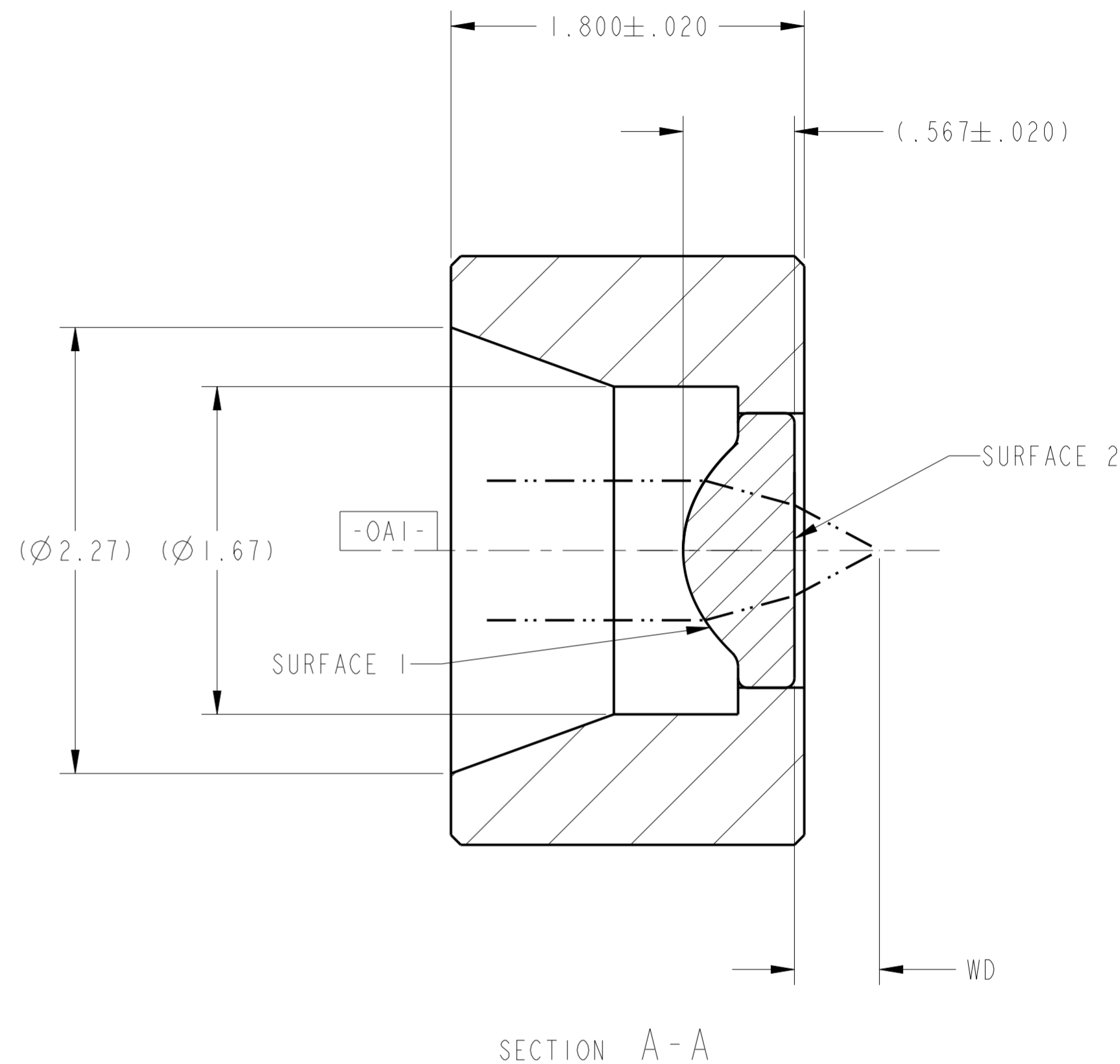
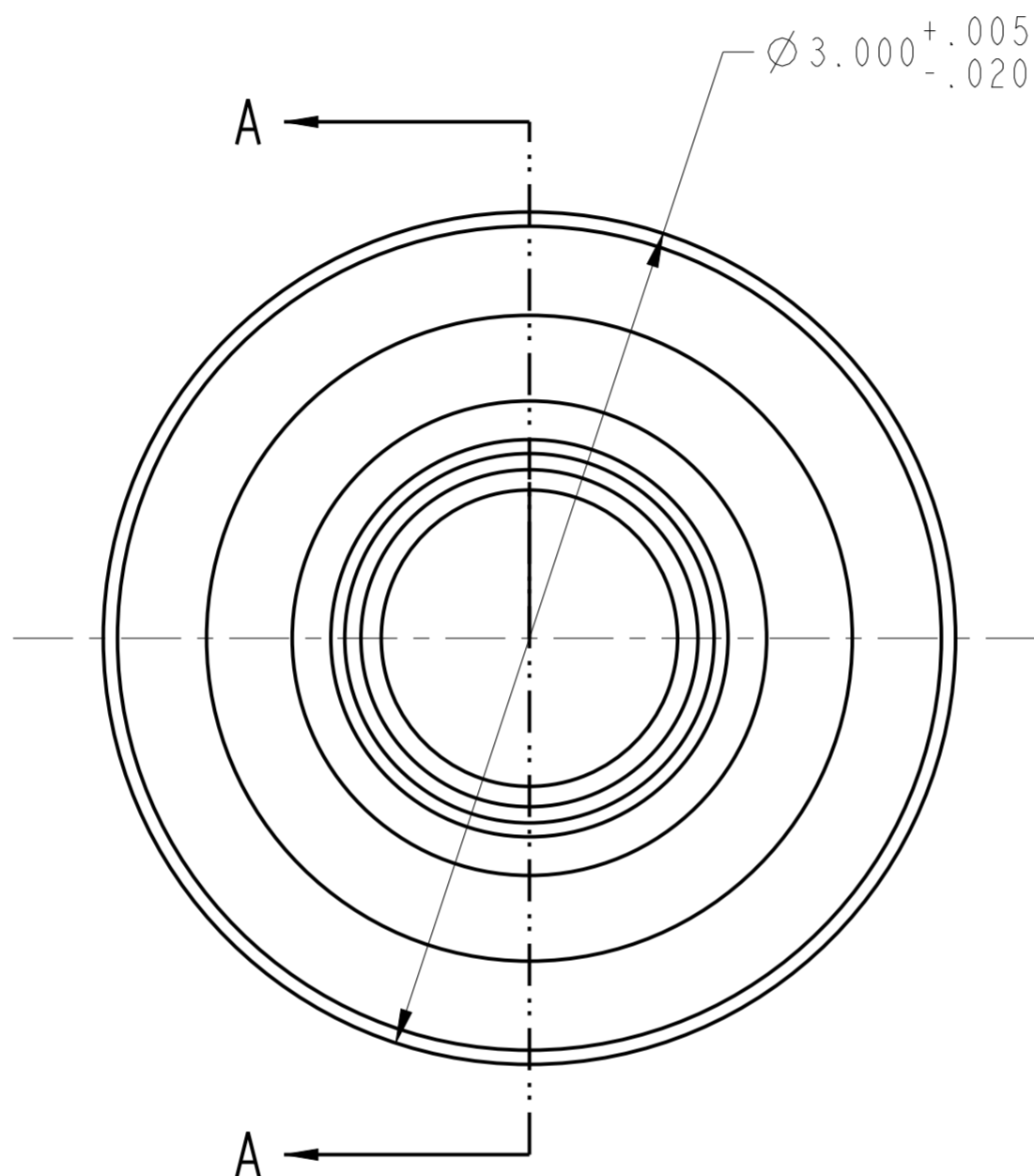
DESIGN WAVELENGTH	940 nm
W.D.	0.4 mm
N.A.	0.5
E.F.L.	0.8mm ± 1.0%

6. FEATURES IDENTIFIED AS Ⓒ ARE CRITICAL CHARACTERISTICS. CRITICAL CHARACTERISTICS ARE GUARANTEED IN PRODUCTION.

7. THIS ELEMENT MUST MEET THE SCRATCH/DIG REQUIREMENTS ACROSS THE FULL CLEAR APERTURES INDICATED, BOTH SIDES, PER LIGHTPATH PWI INS-8.2-05P6.
-00: S/D: 40/20

8. THIS ELEMENT IS USED AS A COLLIMATING LENS.
WAVEFRONT ERROR: @ 100% APERTURE < 0.050 WAVES RMS @ 632.8nm;
@ 50% APERTURE < 0.250 WAVES P-V
PER LIGHTPATH PWI INS-8.2-13. Ⓒ

REVISION HISTORY				
REV	DCO	DESCRIPTION	DATE	INITIALS
A	2387	INITIAL RELEASE	06/10/10	ASYMMONS
B	4388	UPDATED FORMAT	12/28/15	PL
C	5249	MATERIAL WAS 416 SS	02/07/18	MW



UNLESS OTHERWISE SPECIFIED
DIMENSIONS ARE IN MM.
DECIMAL TOLERANCES ARE:
.X ± 0.25
.XX ± 0.10
.XXX ± 0.025
.XXXX ± 0.013
ANGLES: ± 0.5°

DRAWN
ASYMMONS\ORL

MATERIAL
SEE NOTES

SOFTWARE
Pro/ENGINEER

LightPath
TECHNOLOGIES
2603 CHALLENGER TECH CT., SUITE 100
ORLANDO, FL 32826

PROPRIETARY INFORMATION
THIS DOCUMENT CONTAINS PROPRIETARY INFORMATION OF LIGHTPATH TECHNOLOGIES AND IS NOT TO BE DISCLOSED OR REPRODUCED IN WHOLE OR PART, OR USED FOR MANUFACTURING FOR ANYONE OTHER THAN LIGHTPATH TECHNOLOGIES WITHOUT ITS WRITTEN CONSENT. NO RIGHT IS GRANTED TO DISCLOSE OR USE ANY INFORMATION CONTAINED IN SAID DOCUMENT.

TITLE
LENS CODE 355840

SIZE
A2

DWG NO
0355840

REV
C

SCALE: 40.00

THIRD ANGLE PROJECTION

SHEET 1 OF 1



REV C
SH I
DWG NO 0355840