

RADIUS			RADIUS ERROR	ROUGHNESS	IRREGULARITY	CA	CT	WD	NA	DESIGN WAVELENGTH	EFL	WAVEFRONT
S1	ASPHERE	CX	± 0.004 mm	<10nm RMS	<316.5nm P-V <105.5nm RMS	∅ 4.60	3.700±0.030	2.2	0.55	447	4.13±1.0%	< 0.200 WAVES RMS @ 633.0nm
S2	PLANO	PL	N/A	<10nm RMS	<316.5nm P-V <105.5nm RMS	∅ 4.60						

REVISION HISTORY				
REV	DCO	DESCRIPTION	DATE	INITIALS
A	3468	INITIAL RELEASE	5/6/13	JL

NOTES: UNLESS OTHERWISE SPECIFIED

- OAI- IS THE THEORETICAL OPTIC AXIS OF THE FIRST OPTIC SURFACE.
- MATERIAL: D-ZLAF52LA.
- ASPHERIC SURFACES ARE DEFINED BY:

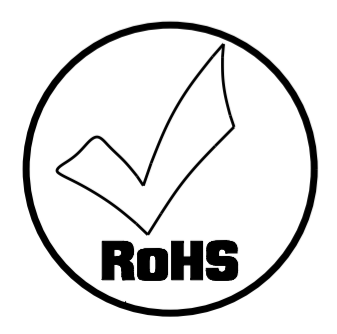
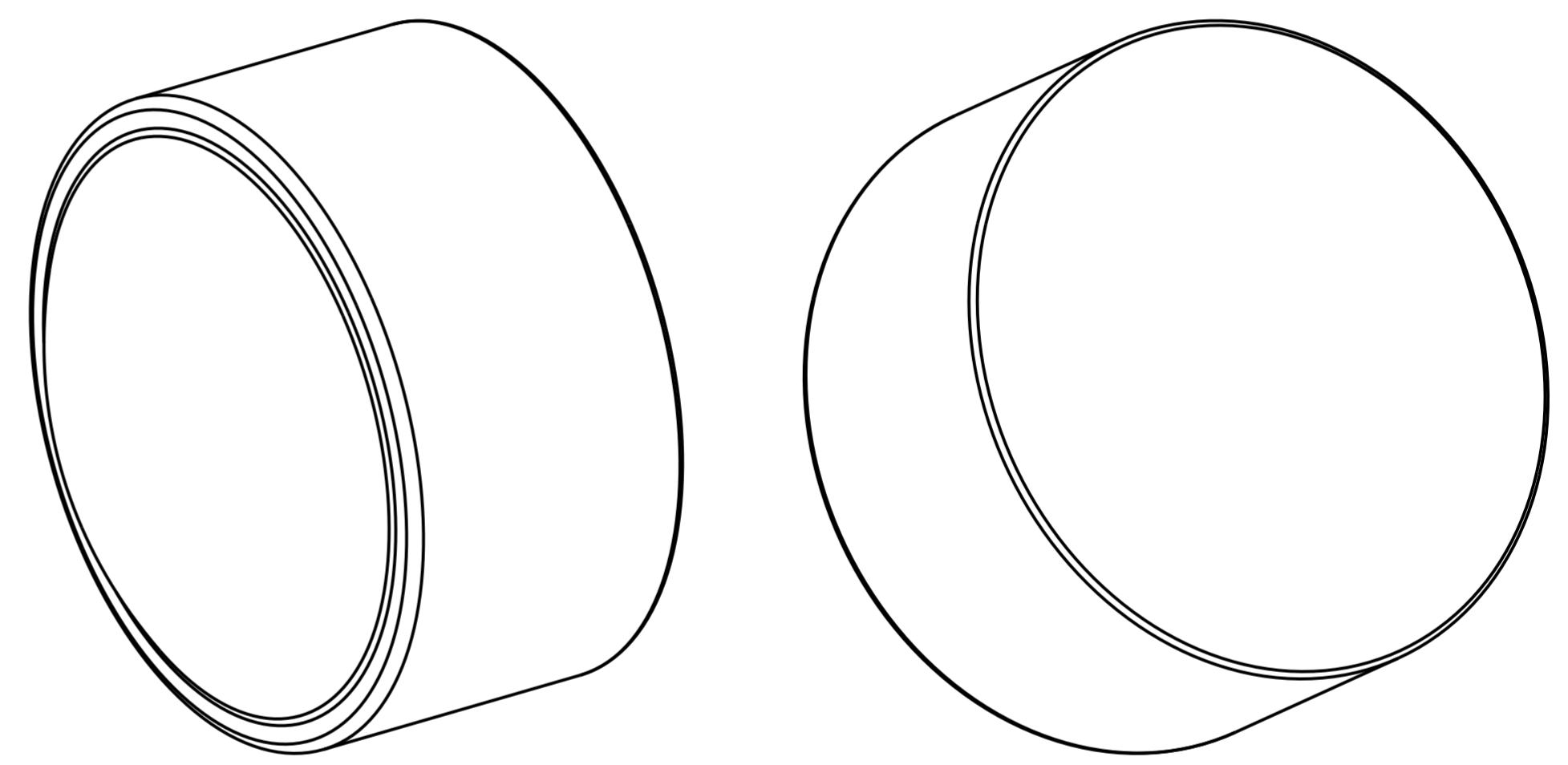
$$Z(Y) = \frac{Y^2}{R \cdot (1 + \sqrt{1 - (1+K) \cdot Y^2 / R^2})^{0.5}} + A_2 \cdot Y^2 + A_4 \cdot Y^4 + A_6 \cdot Y^6 + A_8 \cdot Y^8 + A_{10} \cdot Y^{10} + A_{12} \cdot Y^{12} + A_{14} \cdot Y^{14} + A_{16} \cdot Y^{16}$$

WHERE: Y= RADIAL DISTANCE FROM VERTEX IN mm

4. SURFACE DEFINITIONS:

	SURFACE 1	SURFACE 2
RADIUS	3.416419	PLANO
K	-0.592632	0.000000
A <sub>2</sub>	0.000000E0	0.000000E0
A <sub>4</sub>	0.000000E0	0.000000E0
A <sub>6</sub>	0.000000E0	0.000000E0
A <sub>8</sub>	0.000000E0	0.000000E0
A <sub>10</sub>	0.000000E0	0.000000E0
A <sub>12</sub>	0.000000E0	0.000000E0
A <sub>14</sub>	0.000000E0	0.000000E0
A <sub>16</sub>	0.000000E0	0.000000E0

- THIS ELEMENT MUST MEET THE SCRATCH/DIG REQUIREMENTS ACROSS THE FULL CLEAR APERTURES INDICATED, BOTH SIDES, PER MIL-PRF-13830B AS PROVIDED IN LIGHTPATH SPECIFICATION: 9000827.
- THIS ELEMENT IS USED AS A COLLIMATING LENS. TEST METHODS AND FREQUENCIES ARE DEFINED AS PROVIDED IN LIGHTPATH SPECIFICATION: 9000827.



UNLESS OTHERWISE SPECIFIED  
DIMENSIONS ARE IN MM.  
DECIMAL TOLERANCES ARE:  
.X ± 0.25  
.XX ± 0.10  
.XXX ± 0.025  
.XXXX ± 0.013  
ANGLES: ± 0.5°

DRAWN  
JL\ORL

MATERIAL  
SEE NOTES

SOFTWARE  
Pro/ENGINEER

**LightPath**  
2603 CHALLENGER TECH CT. SUITE 100  
ORLANDO, FL 32826

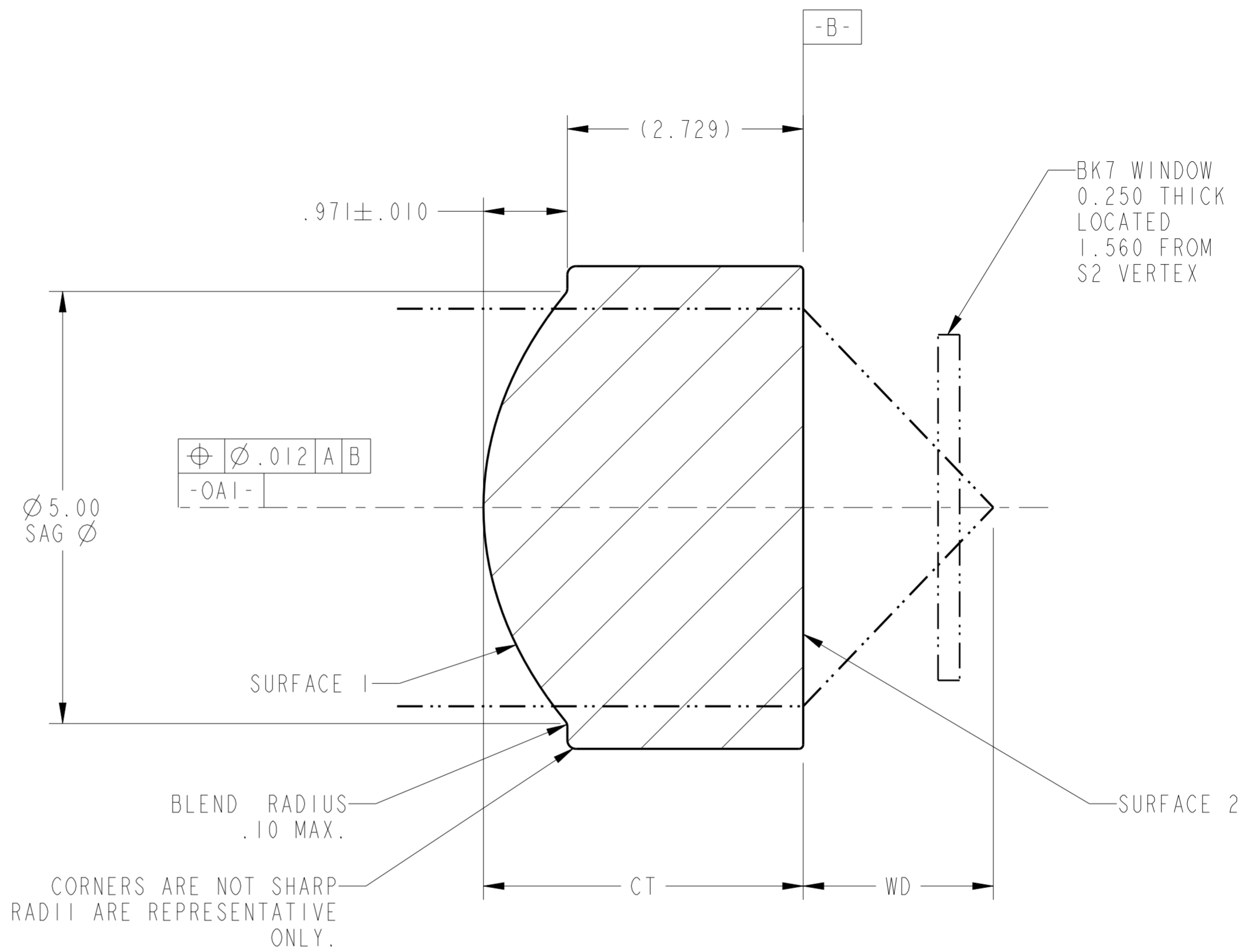
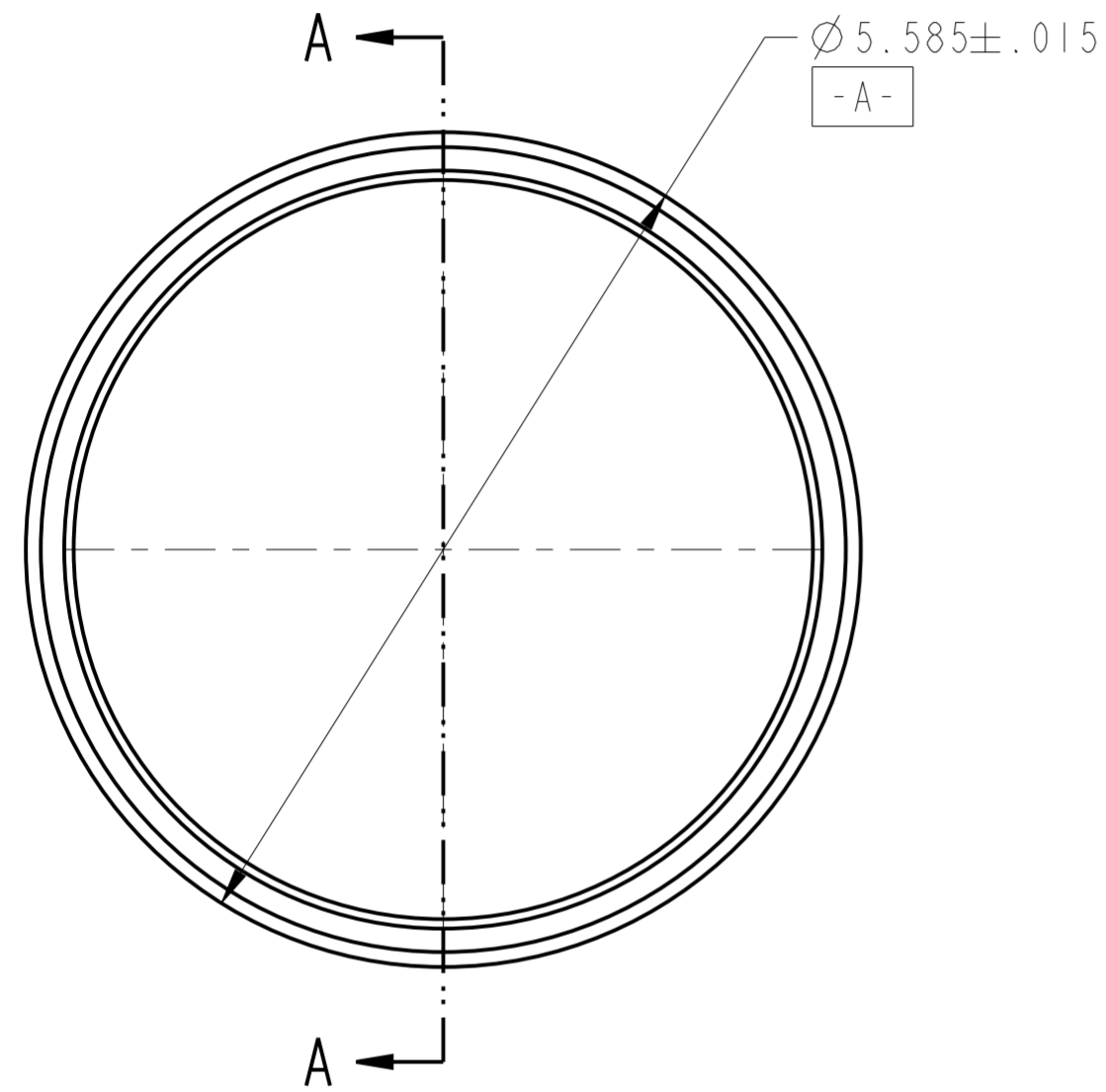
PROPRIETARY INFORMATION  
THIS DOCUMENT CONTAINS PROPRIETARY INFORMATION OF LIGHTPATH TECHNOLOGIES AND IS NOT TO BE DISCLOSED OR REPRODUCED IN WHOLE OR PART, OR USED FOR MANUFACTURING FOR ANYONE OTHER THAN LIGHTPATH TECHNOLOGIES WITHOUT ITS WRITTEN CONSENT. NO RIGHT IS GRANTED TO DISCLOSE OR USE ANY INFORMATION CONTAINED IN SAID DOCUMENT.

TITLE  
LENS CODE 355625

SIZE A2	DWG NO 0355625	REV A
SCALE: 20.00	THIRD ANGLE PROJECTION	SHEET 1 OF 2

DWG NO  
0355625

REVISION HISTORY				
REV	DCO	DESCRIPTION	DATE	INITIALS
SEE SHEET 1				



SECTION A-A

**LightPath**  
TECHNOLOGIES

2603 CHALLENGER TECH CT. SUITE 100  
ORLANDO, FL 32826

PROPRIETARY INFORMATION  
THIS DOCUMENT CONTAINS PROPRIETARY INFORMATION OF LIGHTPATH TECHNOLOGIES  
AND IS NOT TO BE DISCLOSED OR REPRODUCED IN WHOLE OR PART, OR USED FOR  
MANUFACTURING FOR ANYONE OTHER THAN LIGHTPATH TECHNOLOGIES WITHOUT ITS  
WRITTEN CONSENT. NO RIGHT IS GRANTED TO DISCLOSE OR USE ANY INFORMATION  
CONTAINED IN SAID DOCUMENT.

TITLE		
LENS CODE 355625		
SIZE	DWG NO	REV
A2	0355625	A
SCALE:	THIRD ANGLE PROJECTION	SHEET
20.00		2 OF 2

DWG NO  
0355625