

NOTES: UNLESS OTHERWISE SPECIFIED

1. [-OAI-] IS THE THEORETICAL OPTIC AXIS OF THE FIRST OPTIC SURFACE.

2. ASPHERIC SURFACES ARE DEFINED BY:

$$z(r) = \frac{r^2/R_c}{1 + \sqrt{1 - (1 + K)(r/R_c)^2}} + \sum_i A_{2i}r^{2i}$$

WHERE: Y= RADIAL DISTANCE FROM VERTEX IN mm

3. SURFACE DEFINITIONS:

	SURFACE 1	SURFACE 2
TYPE	ASPHERE	PLANO
SHAPE	CX	PL
CA	∅ 12.50	∅ 10.53
R _C	7.930072	PLANO
K	-1.025974	0.000000
A ₂	0.000000E0	0.000000E0
A ₄	1.031945E-4	0.000000E0
A ₆	-5.274804E-8	0.000000E0
A ₈	-3.258955E-9	0.000000E0
A ₁₀	2.432531E-11	0.000000E0
A ₁₂	-2.760531E-13	0.000000E0
A ₁₄	0.000000E0	0.000000E0
A ₁₆	0.000000E0	0.000000E0

4. NOMINAL DESIGN PARAMETERS:

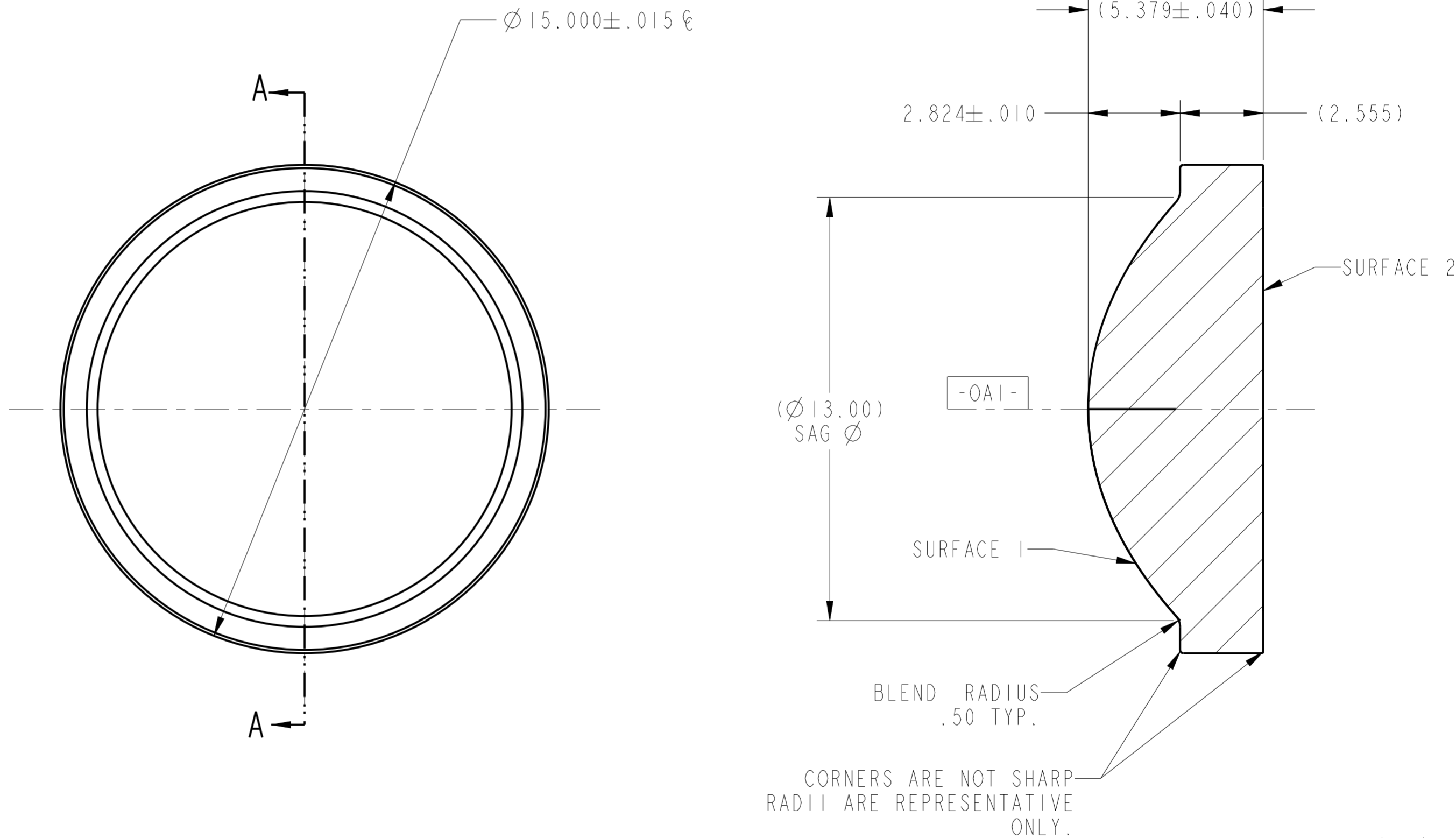
DESIGN WAVELENGTH	850 nm
W.D.	7.0 mm
N.A.	0.6
E.F.L.	10.0mm ± 1.0%

5. FEATURES IDENTIFIED AS Ⓢ ARE CRITICAL CHARACTERISTICS. CRITICAL CHARACTERISTICS ARE GUARANTEED IN PRODUCTION.

6. THIS ELEMENT MUST MEET THE SCRATCH/DIG REQUIREMENTS ACROSS THE FULL CLEAR APERTURES INDICATED, BOTH SIDES, PER MIL LIGHTPATH PWI INS-8.2-05P6. Ⓢ -00: S/D: 60/40

7. THIS ELEMENT IS USED IN AN OBJECTIVE ASSEMBLY. WAVEFRONT ERROR: @ 100% APERTURE < 0.40 WAVES RMS @ 632.8nm; @ 50 % APERTURE < 0.27 WAVES P-V PER LIGHTPATH PWI INS-8.2-03. Ⓢ

REVISION HISTORY				
REV	DCO	DESCRIPTION	DATE	INITIALS
A	2636	INITIAL RELEASE	01/12/11	BAUZ
B	4166	RADIUS ERROR WAS ±0.003	7/1/15	JL
C	4292	NEW CATALOG FORMAT	10/6/15	PL
D	5708	BLEND RADIUS INCREASE FROM .10 TO .50	2/7/19	AG



SECTION A-A



UNLESS OTHERWISE SPECIFIED DIMENSIONS ARE IN MM. DECIMAL TOLERANCES ARE: .X ± 0.25 .XX ± 0.10 .XXX ± 0.025 .XXXX ± 0.013 ANGLES: ± 0.5°		LightPath <small>TECHNOLOGIES</small> 2603 CHALLENGER TECH CT. SUITE 100 ORLANDO, FL 32826		PROPRIETARY INFORMATION THIS DOCUMENT CONTAINS PROPRIETARY INFORMATION OF LIGHTPATH TECHNOLOGIES AND IS NOT TO BE DISCLOSED OR REPRODUCED IN WHOLE OR PART, OR USED FOR MANUFACTURING FOR ANYONE OTHER THAN LIGHTPATH TECHNOLOGIES WITHOUT ITS WRITTEN CONSENT. NO RIGHT IS GRANTED TO DISCLOSE OR USE ANY INFORMATION CONTAINED IN SAID DOCUMENT.	
DRAWN BAUZ\ORL		TITLE LENS CODE 355561			
MATERIAL D-ZLAF52LA		SIZE A2	DWG NO 0355561	REV D	
SOFTWARE Pro/ENGINEER		SCALE: 8.00	THIRD ANGLE PROJECTION	SHEET 1 OF 1	