

NOTES: UNLESS OTHERWISE SPECIFIED

1. **-OAI-** IS THE THEORETICAL OPTIC AXIS OF THE FIRST OPTIC SURFACE.
2. ASPHERIC SURFACES ARE DEFINED BY:

$$z(r) = \frac{r^2/R_c}{1 + \sqrt{1 - (1 + K)(r/R_c)^2}} + \sum_i A_{2i}r^{2i}$$

WHERE: r = RADIAL DISTANCE FROM VERTEX IN mm

3. SURFACE DEFINITIONS:

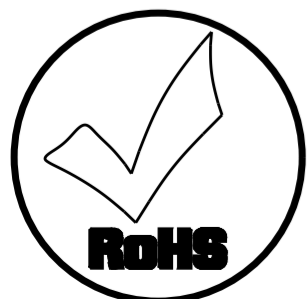
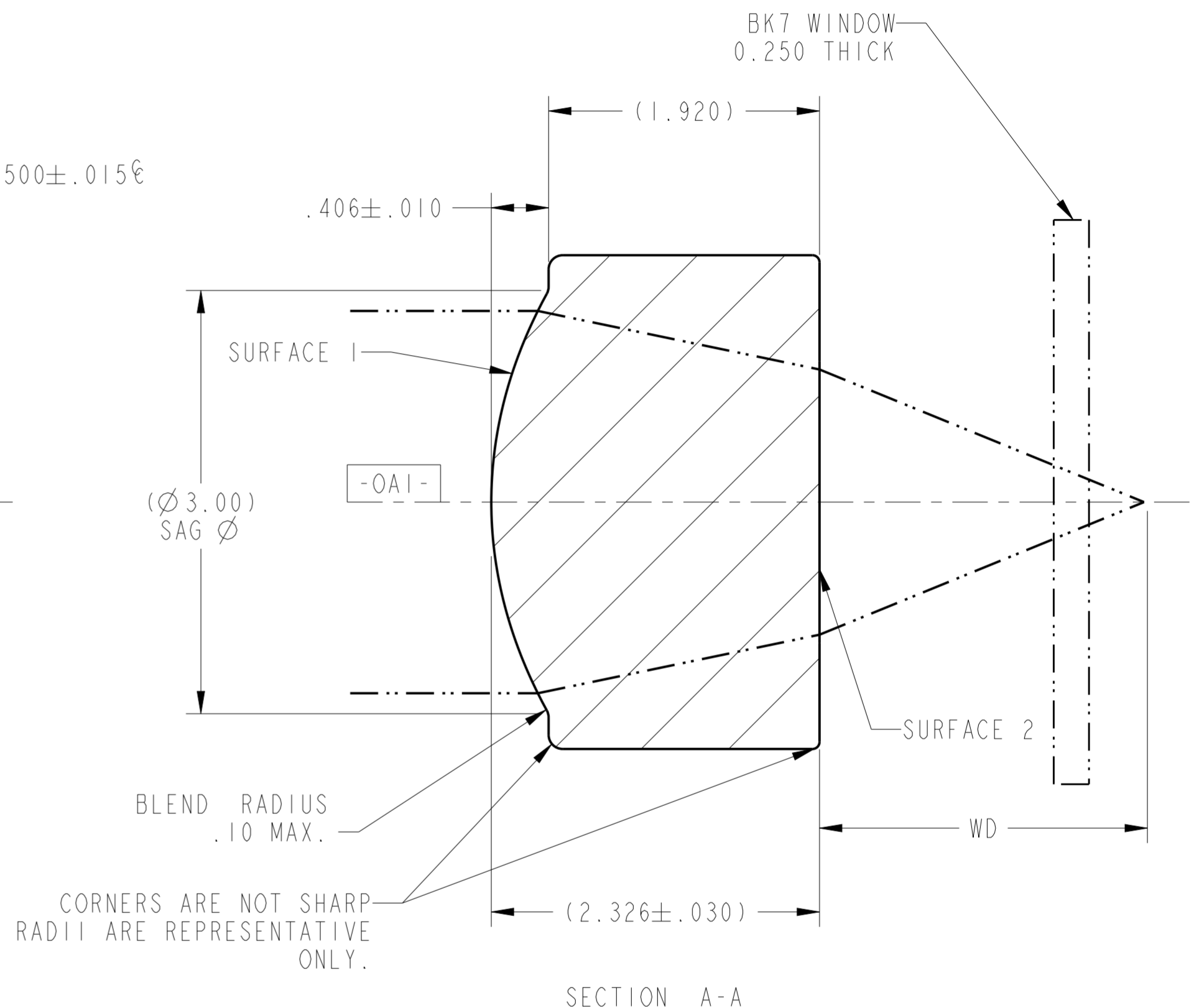
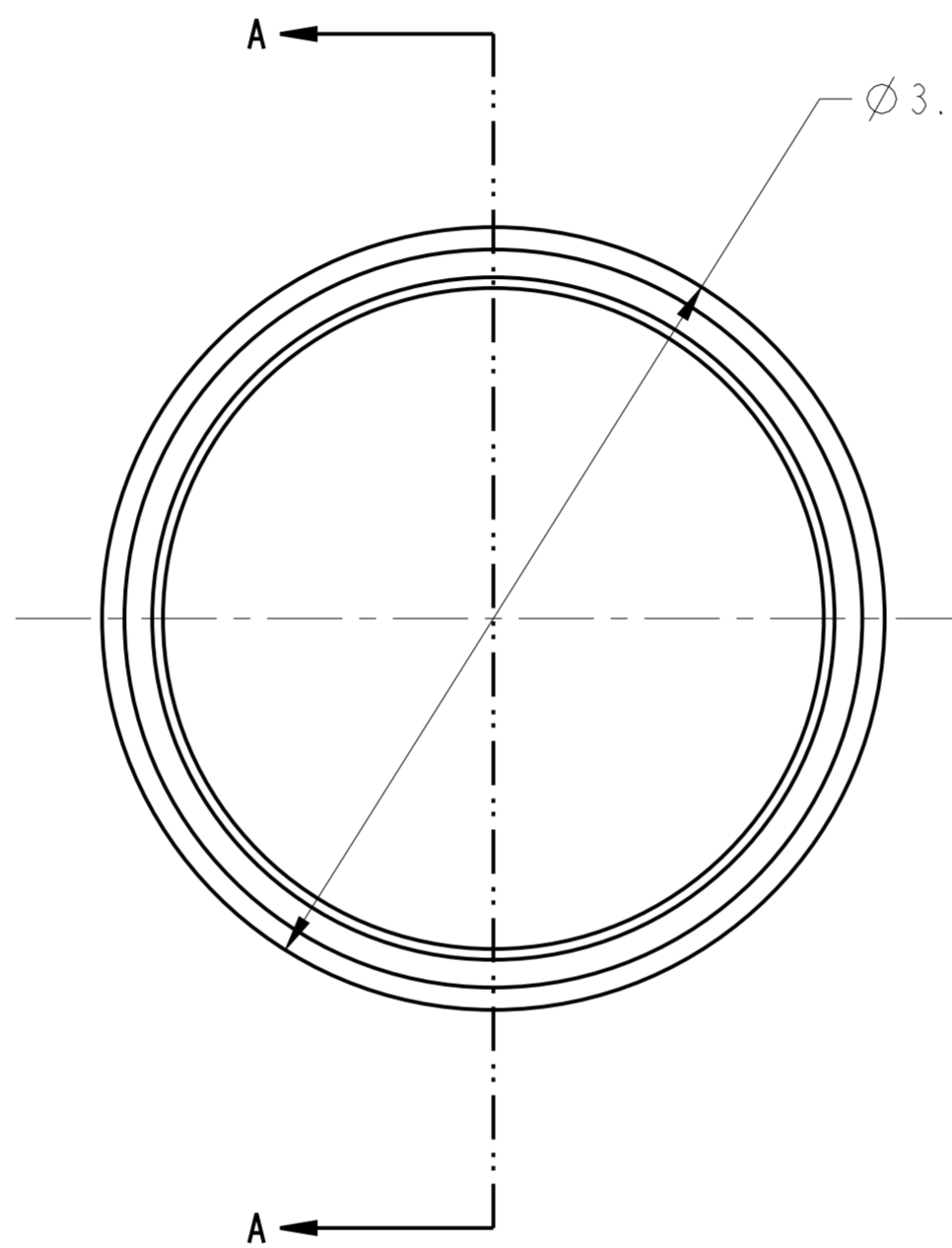
	SURFACE 1	SURFACE 2
TYPE	ASPHERE	PLANO
SHAPE	CX	PL
CA	∅2.71	∅1.88
R _C	2.849240	PLANO
K	-0.927766	0.000000
A ₂	0.000000E0	0.000000E0
A ₄	1.902370E-3	0.000000E0
A ₆	-1.375639E-5	0.000000E0
A ₈	0.000000E0	0.000000E0
A ₁₀	0.000000E0	0.000000E0
A ₁₂	0.000000E0	0.000000E0
A ₁₄	0.000000E0	0.000000E0
A ₁₆	0.000000E0	0.000000E0

4. NOMINAL DESIGN PARAMETERS:

DESIGN WAVELENGTH	515 nm
W.D.	2.3 mm
N.A.	0.38
E.F.L.	3.50 ± 0.02mm

5. FEATURES IDENTIFIED AS Ⓢ ARE CRITICAL CHARACTERISTICS. CRITICAL CHARACTERISTICS ARE GUARANTEED IN PRODUCTION.
6. THIS ELEMENT MUST MEET THE SCRATCH/DIG REQUIREMENTS ACROSS THE FULL CLEAR APERTURES INDICATED, BOTH SIDES, PER LIGHTPATH PWI INS-8.2-05P6. Ⓢ
-00: S/D: 40/20
7. THIS ELEMENT IS USED AS A COLLIMATING LENS.
WAVEFRONT ERROR: <0.070 WAVES RMS @ 633.0nm.
PER LIGHTPATH PWI INS-8.2-13. Ⓢ

REVISION HISTORY				
REV	DCO	DESCRIPTION	DATE	INITIALS
A	3950	INITIAL RELEASE	10/06/14	DS
B	4176	REFORMAT	06/05/15	DS



UNLESS OTHERWISE SPECIFIED DIMENSIONS ARE IN MM. DECIMAL TOLERANCES ARE: .X ± 0.25 .XX ± 0.10 .XXX ± 0.025 .XXXX ± 0.013 ANGLES: ± 0.5°	
DRAW DS\ORL	
MATERIAL SEE NOTES	SIZE A2
SOFTWARE Pro/ENGINEER	SCALE: 30.00

LightPath <small>TECHNOLOGIES</small> 2603 CHALLENGER TECH CT., SUITE 100 ORLANDO, FL 32826		PROPRIETARY INFORMATION <small>THIS DOCUMENT CONTAINS PROPRIETARY INFORMATION OF LIGHTPATH TECHNOLOGIES AND IS NOT TO BE DISCLOSED OR REPRODUCED IN WHOLE OR PART, OR USED FOR MANUFACTURING FOR ANYONE OTHER THAN LIGHTPATH TECHNOLOGIES WITHOUT ITS WRITTEN CONSENT. NO RIGHT IS GRANTED TO DISCLOSE OR USE ANY INFORMATION CONTAINED IN SAID DOCUMENT.</small>	
TITLE LENS CODE 355545			
SIZE A2	DWG NO 0355545	REV B	
THIRD ANGLE PROJECTION	SCALE: 30.00	SHEET 1 OF 1	

REV B
SH I
DWG NO 0355545