

NOTES: UNLESS OTHERWISE SPECIFIED

- OA1- IS THE THEORETICAL OPTIC AXIS OF THE FIRST OPTIC SURFACE.
- OA2- IS THE THEORETICAL OPTIC AXIS OF THE SECOND OPTIC SURFACE.
- ASPHERIC SURFACES ARE DEFINED BY:

$$z(r) = \frac{r^2/R_c}{1 + \sqrt{1 - (1+K)(r/R_c)^2}} + \sum_i A_{2i}r^{2i}$$

WHERE: Y= RADIAL DISTANCE FROM VERTEX IN mm

4. SURFACE DEFINITIONS:

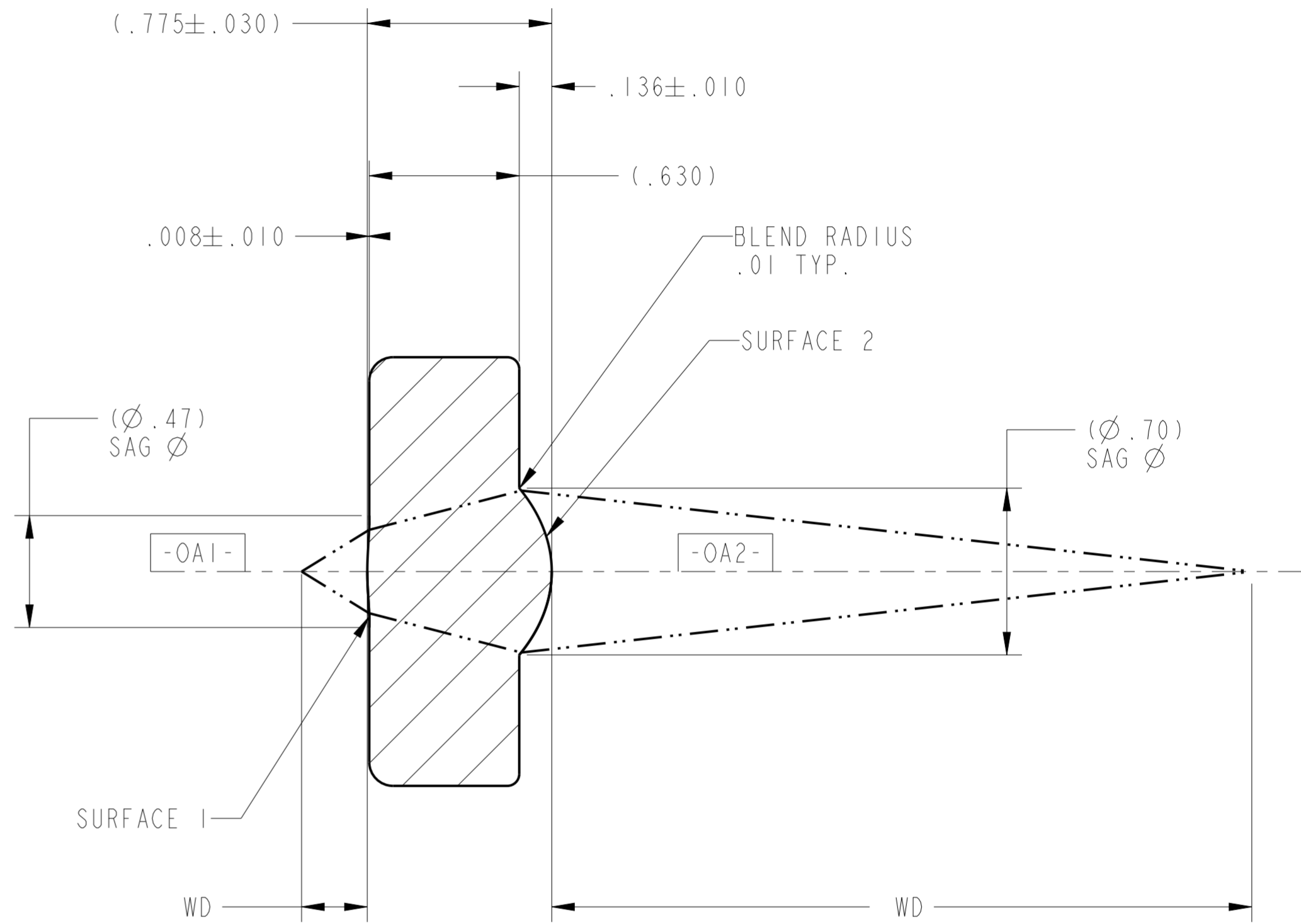
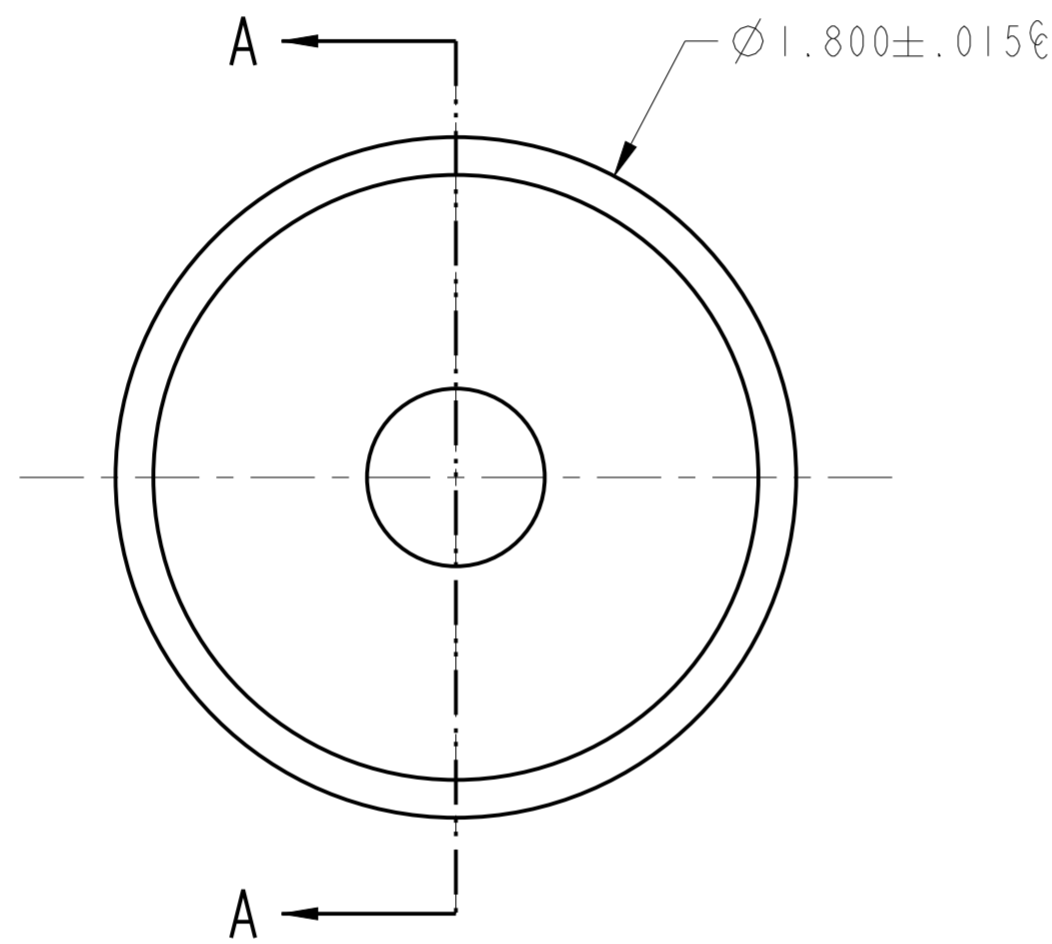
	SURFACE 1	SURFACE 2
TYPE	ASPHERE	ASPHERE
SHAPE	CX	CX
CA	∅0.35	∅0.68
R _C	1.229034	-0.473128
K	0.000000	-1.259828
A ₂	0.000000E0	0.000000E0
A ₄	-5.574207E0	-6.533160E-1
A ₆	1.502510E1	-5.170705E-1
A ₈	0.000000E0	-2.571077E0
A ₁₀	0.000000E0	0.000000E0
A ₁₂	0.000000E0	0.000000E0
A ₁₄	0.000000E0	0.000000E0
A ₁₆	0.000000E0	0.000000E0

5. NOMINAL DESIGN PARAMETERS.

DESIGN WAVELENGTH	1550 nm
W.D.	0.3/2.9 mm
N.A.	0.5/0.1
E.F.L.	0.6mm

- FEATURES IDENTIFIED AS Ⓢ ARE CRITICAL CHARACTERISTICS. CRITICAL CHARACTERISTICS ARE GUARANTEED IN PRODUCTION.
- THIS ELEMENT MUST MEET THE SCRATCH/DIG REQUIREMENTS ACROSS THE FULL CLEAR APERTURES INDICATED, BOTH SIDES, PER LIGHTPATH PWI INS-8.2-05P6.Ⓢ -00: S/D: 40/20
- THIS ELEMENT IS USED AS A COUPLING LENS. WAVEFRONT ERROR: @ 100% APERTURE < 0.080 WAVES RMS @ 632.8nm; @ 50% APERTURE < 0.250 WAVES P-V PER LIGHTPATH PWI INS-8.2-03.Ⓢ

REVISION HISTORY				
REV	DCO	DESCRIPTION	DATE	INITIALS
A	2596	INITIAL RELEASE	12/10/10	BAUZ
B	2760	SI CA ∅0.440 TO ∅0.350, REMOVE GTOL	4/25/2011	BAUZ
C	2933	UPDATE DICING TOLERANCES AND PREFORM	9/26/2011	BAUZ
D	3427	CHG TOL TO ±.020	3/6/13	JAL
E	4386	UPDATED FORMAT	12/29/15	PL
F	5795	CHANGED FROM DICED TO PRE-DICED	05/01/19	AG



SECTION A-A

UNLESS OTHERWISE SPECIFIED
DIMENSIONS ARE IN MM.
DECIMAL TOLERANCES ARE:
.X ± 0.25
.XX ± 0.10
.XXX ± 0.025
.XXXX ± 0.013
ANGLES: ± 0.5°

LightPath
TECHNOLOGIES

2603 CHALLENGER TECH CT. SUITE 100
ORLANDO, FL 32826

PROPRIETARY INFORMATION
THIS DOCUMENT CONTAINS PROPRIETARY INFORMATION OF LIGHTPATH TECHNOLOGIES AND IS NOT TO BE DISCLOSED OR REPRODUCED IN WHOLE OR PART, OR USED FOR MANUFACTURING FOR ANYONE OTHER THAN LIGHTPATH TECHNOLOGIES WITHOUT ITS WRITTEN CONSENT. NO RIGHT IS GRANTED TO DISCLOSE OR USE ANY INFORMATION CONTAINED IN SAID DOCUMENT.

DRAWN
BAUZ\ORL

TITLE
LENS CODE 355487

MATERIAL
D-ZLAF52LA(m)

SIZE
A2

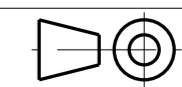
DWG NO
0355487

REV
F

SOFTWARE
Pro/ENGINEER

SCALE:
50.00

THIRD ANGLE PROJECTION



SHEET
1 OF 1



REV F
SH I
DWG NO 0355487