

NOTES: UNLESS OTHERWISE SPECIFIED

1. [-OA2-] IS THE THEORETICAL OPTIC AXIS OF THE SECOND OPTIC SURFACE.

2. ASPHERIC SURFACES ARE DEFINED BY:

$$z(r) = \frac{r^2/R_c}{1 + \sqrt{1 - (1 + K)(r/R_c)^2}} + \sum_i A_{2i}r^{2i}$$

WHERE: Y= RADIAL DISTANCE FROM VERTEX IN mm

3. SURFACE DEFINITIONS:

	SURFACE 1	SURFACE 2
TYPE	PLANO	ASPHERE
SHAPE	PL	CX
CA	Ø0.35	Ø0.66
R _C	PLANO	-0.426354
K	0.000000	-0.990729
A ₂	0.000000E0	0.000000E0
A ₄	0.000000E0	-5.230387E-1
A ₆	0.000000E0	-2.644521E-1
A ₈	0.000000E0	0.000000E0
A ₁₀	0.000000E0	0.000000E0
A ₁₂	0.000000E0	0.000000E0
A ₁₄	0.000000E0	0.000000E0
A ₁₆	0.000000E0	0.000000E0

4. NOMINAL DESIGN PARAMETERS.

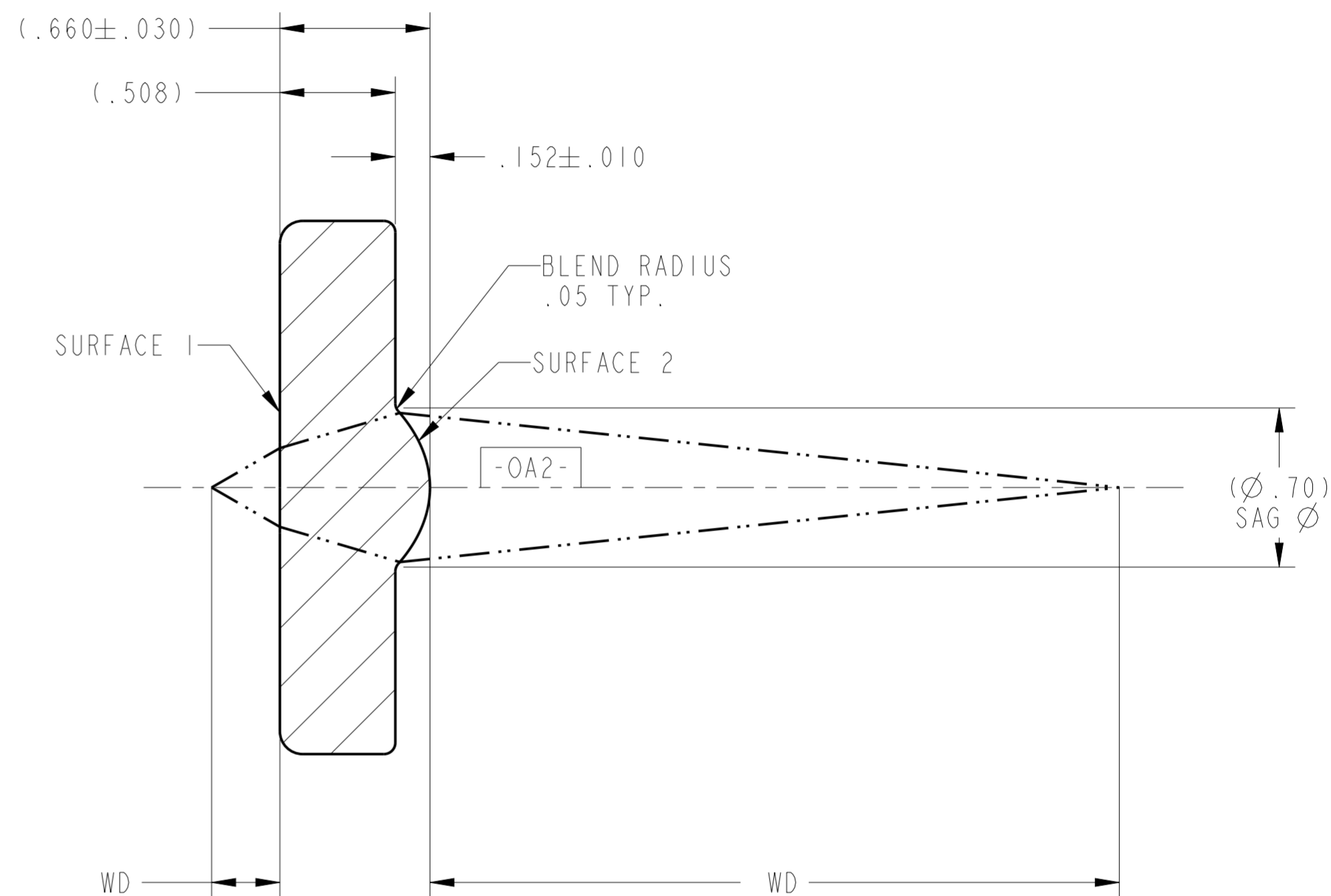
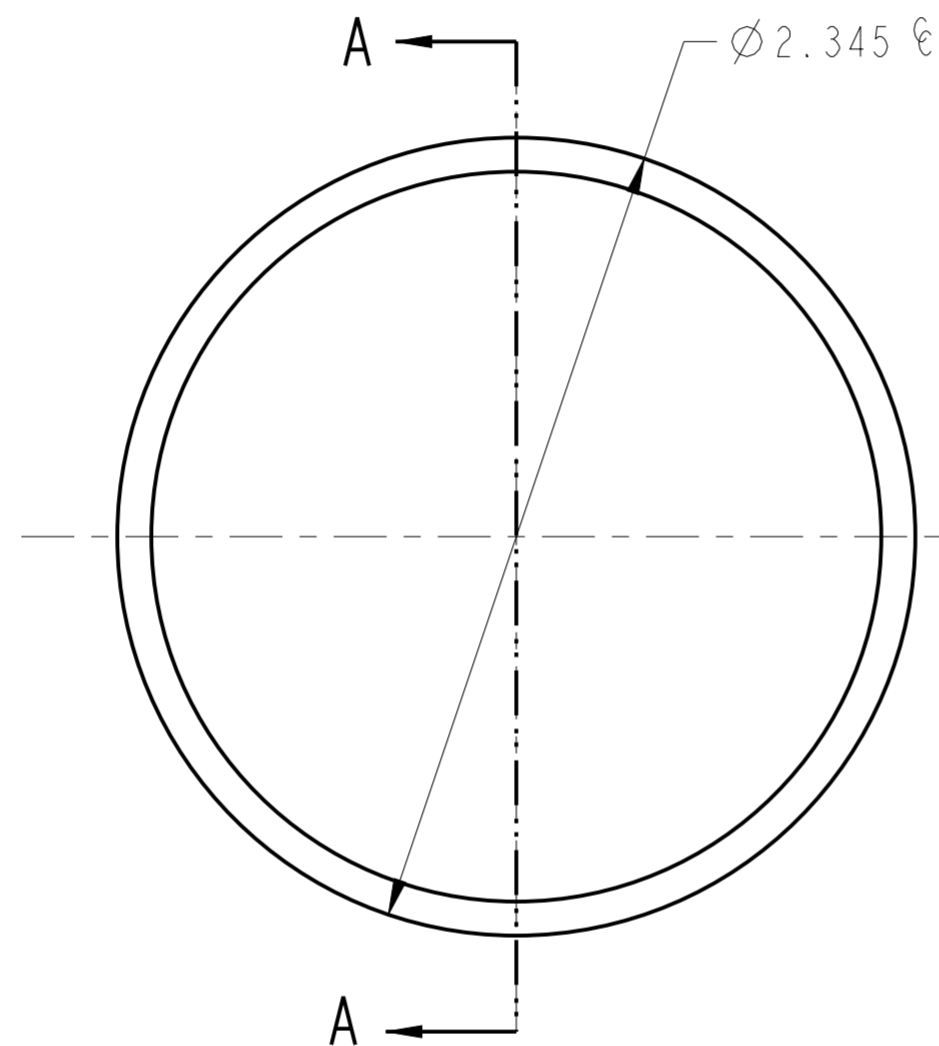
DESIGN WAVELENGTH	1550 nm
W.D.	0.3/3.0 mm
N.A.	0.5/0.1
E.F.L.	0.6mm ± 1.0%

5. FEATURES IDENTIFIED AS Ⓢ ARE CRITICAL CHARACTERISTICS. CRITICAL CHARACTERISTICS ARE GUARANTEED IN PRODUCTION.

6. THIS ELEMENT MUST MEET THE SCRATCH/DIG REQUIREMENTS ACROSS THE FULL CLEAR APERTURES INDICATED, BOTH SIDES, PER LIGHTPATH PWI INS-8.2-05P6.Ⓢ -00: S/D: 40/20

7. THIS ELEMENT IS USED AS A COLLIMATING LENS. WAVEFRONT ERROR: @ 100% APERTURE < 0.040 WAVES RMS @ 658 nm; @ 50% APERTURE < 0.250 WAVES P-V PER LIGHTPATH PWI INS-8.2-03.Ⓢ

REVISION HISTORY				
REV	DCO	DESCRIPTION	DATE	INITIALS
A	2572	INITIAL RELEASE	11/29/10	AS
B	3426	CHG TOL TO ± .020	03/06/13	JAL
C	4385	UPDATED FORMAT	12/21/15	PL
D	5911	CHANGED DRW TO PREDICED, WAS DICED	08/26/19	MPW



SECTION A-A

UNLESS OTHERWISE SPECIFIED
DIMENSIONS ARE IN MM.
DECIMAL TOLERANCES ARE:
.X ± 0.25
.XX ± 0.10
.XXX ± 0.025
.XXXX ± 0.013
ANGLES: ± 0.5°

LightPath
TECHNOLOGIES

2603 CHALLENGER TECH CT., SUITE 100
ORLANDO, FL 32826

PROPRIETARY INFORMATION
THIS DOCUMENT CONTAINS PROPRIETARY INFORMATION OF LIGHTPATH TECHNOLOGIES AND IS NOT TO BE DISCLOSED OR REPRODUCED IN WHOLE OR PART, OR USED FOR MANUFACTURING FOR ANYONE OTHER THAN LIGHTPATH TECHNOLOGIES WITHOUT ITS WRITTEN CONSENT. NO RIGHT IS GRANTED TO DISCLOSE OR USE ANY INFORMATION CONTAINED IN SAID DOCUMENT.

TITLE

LENS CODE 355485

DRAWN
AS\ORL

MATERIAL
D-ZLAF52LA(m)

SIZE

A2

DWG NO

0355485

REV

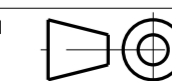
D

SOFTWARE
Pro/ENGINEER

SCALE:

45.00

THIRD ANGLE PROJECTION



SHEET

1 OF 1



DWG NO
0355485