

NOTES: UNLESS OTHERWISE SPECIFIED

1. **-OAI-** IS THE THEORETICAL OPTIC AXIS OF THE FIRST OPTIC SURFACE.
2. ASPHERIC SURFACES ARE DEFINED BY:

$$z(r) = \frac{r^2/R_c}{1 + \sqrt{1 - (1 + K)(r/R_c)^2}} + \sum_i A_{2i}r^{2i}$$

WHERE: Y= RADIAL DISTANCE FROM VERTEX IN mm

3. SURFACE DEFINITIONS:

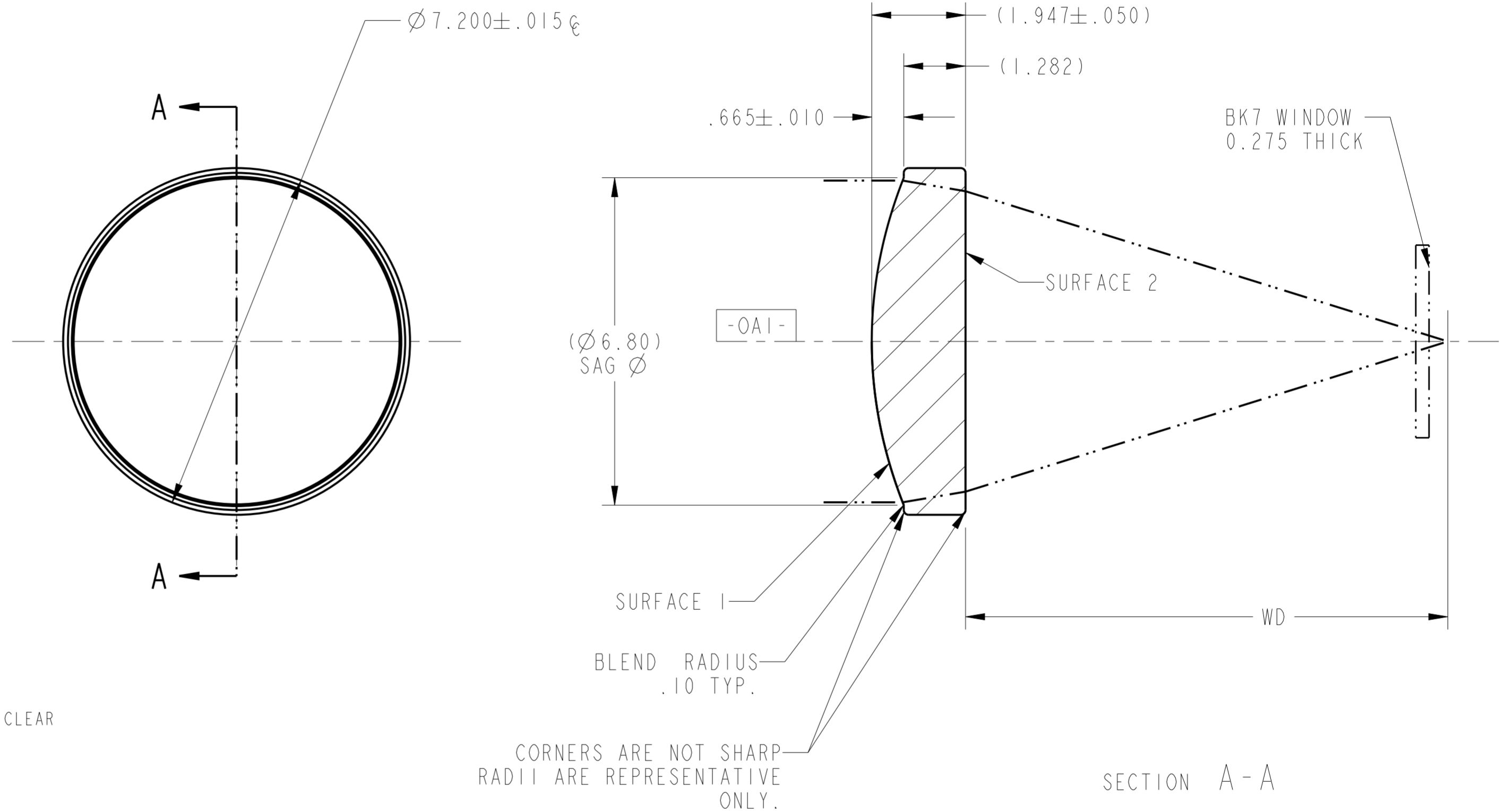
	SURFACE 1	SURFACE 2
TYPE	ASPHERE	PLANO
SHAPE	CX	PL
CA	∅6.68	∅6.24
R <sub>C</sub>	8.789661	PLANO
K	-0.905894	0.000000
A <sub>2</sub>	0.000000E0	0.000000E0
A <sub>4</sub>	3.790758E-5	0.000000E0
A <sub>6</sub>	-1.563752E-7	0.000000E0
A <sub>8</sub>	0.000000E0	0.000000E0
A <sub>10</sub>	0.000000E0	0.000000E0
A <sub>12</sub>	0.000000E0	0.000000E0
A <sub>14</sub>	0.000000E0	0.000000E0
A <sub>16</sub>	0.000000E0	0.000000E0

4. NOMINAL DESIGN PARAMETERS:

DESIGN WAVELENGTH	670 nm
W.D.	10.0 mm
N.A.	0.3
E.F.L.	11.0mm ± 1.0%

5. FEATURES IDENTIFIED AS Ⓢ ARE CRITICAL CHARACTERISTICS. CRITICAL CHARACTERISTICS ARE GUARANTEED IN PRODUCTION
6. THIS ELEMENT MUST MEET THE SCRATCH/DIG REQUIREMENTS ACROSS THE FULL CLEAR APERTURES INDICATED, BOTH SIDES, PER LIGHTPATH PWI INS-8.2-05P6.Ⓢ  
-00: S/D: 60/40
7. THIS ELEMENT IS USED AS A COLLIMATING LENS.  
WAVEFRONT ERROR: < 0.087 WAVES RMS @ 632.8nm  
PER LIGHTPATH PWI INS-8.2-03.Ⓢ

REVISION HISTORY				
REV	DCO	DESCRIPTION	DATE	INITIALS
A	2496	INITIAL RELEASE	10/01/10	BAUZ
B	4293	NEW CATALOG FORMAT	10/6/15	PL



UNLESS OTHERWISE SPECIFIED  
DIMENSIONS ARE IN MM.  
DECIMAL TOLERANCES ARE:  
.X ± 0.25  
.XX ± 0.10  
.XXX ± 0.025  
.XXXX ± 0.013  
ANGLES: ± 0.5°

**LightPath**  
2603 CHALLENGER TECH CT., SUITE 100  
ORLANDO, FL 32826

PROPRIETARY INFORMATION  
THIS DOCUMENT CONTAINS PROPRIETARY INFORMATION OF LIGHTPATH TECHNOLOGIES AND IS NOT TO BE DISCLOSED OR REPRODUCED IN WHOLE OR PART, OR USED FOR MANUFACTURING FOR ANYONE OTHER THAN LIGHTPATH TECHNOLOGIES WITHOUT ITS WRITTEN CONSENT. NO RIGHT IS GRANTED TO DISCLOSE OR USE ANY INFORMATION CONTAINED IN SAID DOCUMENT.

DRAWN  
BAUZ\ORL

TITLE  
LENS CODE 355397

MATERIAL  
D-ZLAF52LA(m)

SIZE A2 DWG NO 0355397 REV B

SOFTWARE  
Pro/ENGINEER

SCALE: 12.00 THIRD ANGLE PROJECTION SHEET 1 OF 1



DWG NO  
0355397