

NOTES: UNLESS OTHERWISE SPECIFIED

1. [-OA1-] IS THE THEORETICAL OPTIC AXIS OF THE FIRST OPTIC SURFACE.
2. [-OA2-] IS THE THEORETICAL OPTIC AXIS OF THE SECOND OPTIC SURFACE.
3. ASPHERIC SURFACES ARE DEFINED BY:

$$z(r) = \frac{r^2/R_c}{1 + \sqrt{1 - (1 + K)(r/R_c)^2}} + \sum_i A_{2i}r^{2i}$$

WHERE: Y= RADIAL DISTANCE FROM VERTEX IN mm

4. SURFACE DEFINITIONS:

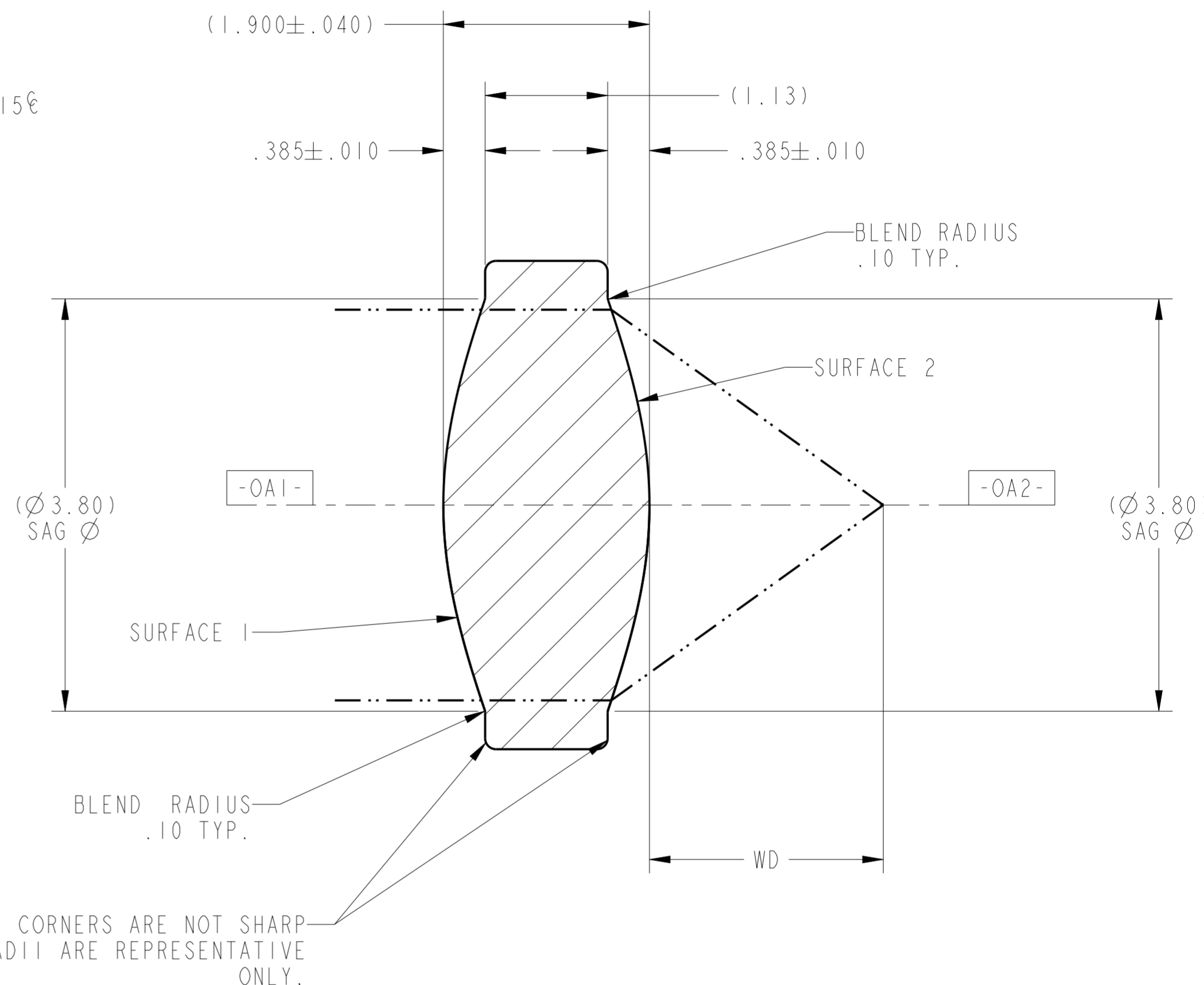
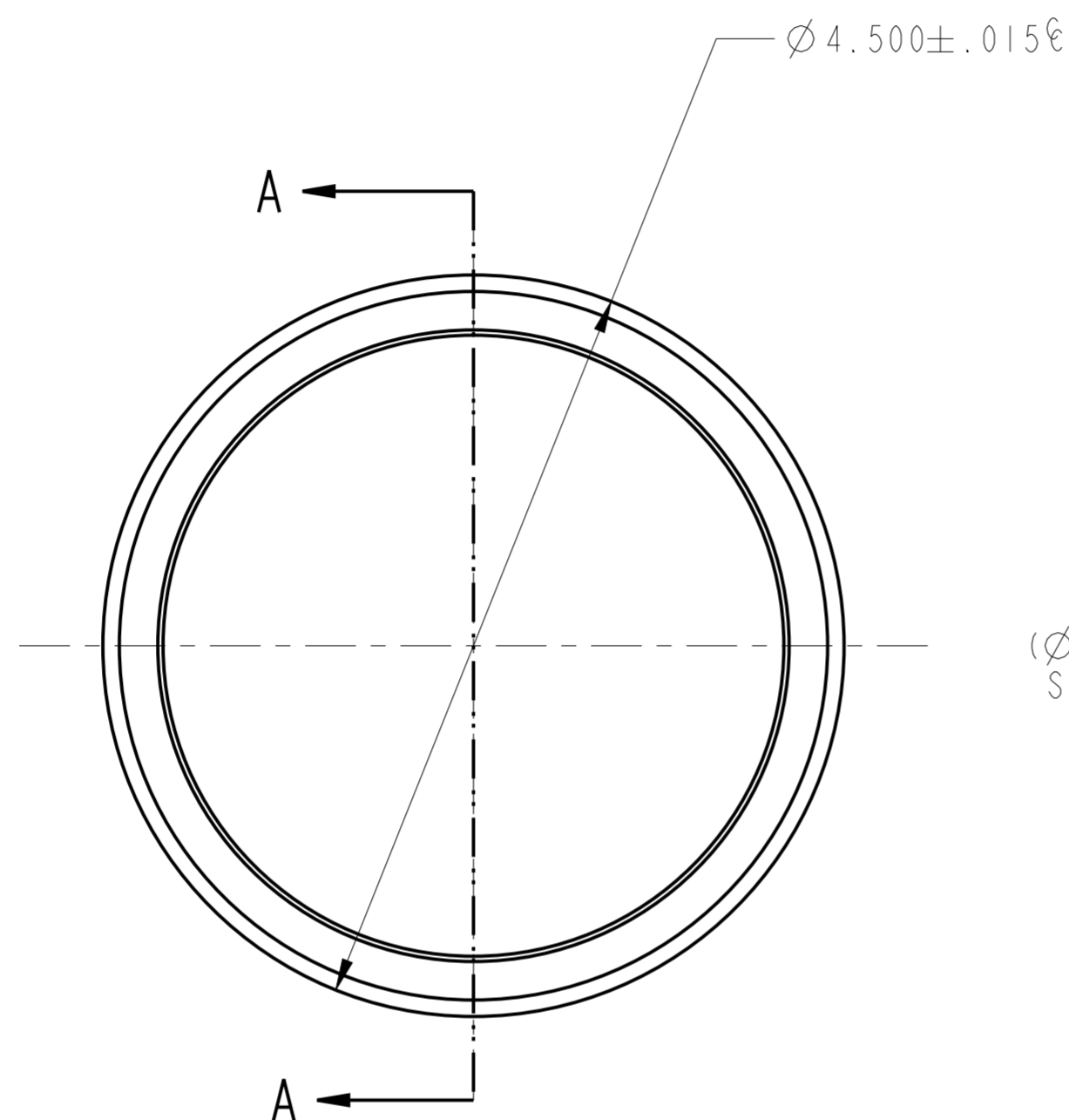
	SURFACE 1	SURFACE 2
TYPE	ASPHERE	ASPHERE
SHAPE	CX	CX
CA	∅ 3.60	∅ 3.60
R _C	3.879161	-3.879161
K	-0.431729	-0.431729
A ₂	0.000000E0	0.000000E0
A ₄	-8.168899E-3	8.168899E-3
A ₆	-1.995690E-4	1.995690E-4
A ₈	2.200933E-4	-2.200933E-4
A ₁₀	-3.982084E-5	3.982084E-5
A ₁₂	2.656612E-6	-2.656612E-6
A ₁₄	0.000000E0	0.000000E0
A ₁₆	0.000000E0	0.000000E0

5. NOMINAL DESIGN PARAMETERS.

DESIGN WAVELENGTH	830 nm
W.D.	2.2 mm
N.A.	0.6
E.F.L.	2.8mm ± 1.0%

6. FEATURES IDENTIFIED AS Ⓢ ARE CRITICAL CHARACTERISTICS. CRITICAL CHARACTERISTICS ARE GUARANTEED IN PRODUCTION.
7. THIS ELEMENT MUST MEET THE SCRATCH/DIG REQUIREMENTS ACROSS THE FULL CLEAR APERTURES INDICATED, BOTH SIDES, PER LIGHTPATH PWI INS-8.2-05P6.Ⓢ -00: S/D: 40/20
8. THIS ELEMENT IS USED AS A COLLIMATING LENS. WAVEFRONT ERROR: SA 1.3 TO 5.4 WAVES @ 632.8nm; PER LIGHTPATH PWI INS-8.2-13.Ⓢ

REVISION HISTORY				
REV	DCO	DESCRIPTION	DATE	INITIALS
A	1907	INITIAL RELEASE	04/02/09	ASYMMONS
B	3300	NOTE 3, PREFORM WAS 0281370.	11/05/12	AS
C	4384	UPDATED FORMAT, S2 CA WAS ∅3.24	12/21/15	PL



SECTION A-A

UNLESS OTHERWISE SPECIFIED DIMENSIONS ARE IN MM. DECIMAL TOLERANCES ARE: .X ± 0.25 .XX ± 0.10 .XXX ± 0.025 .XXXX ± 0.013 ANGLES: ± 0.5°		<p>2603 CHALLENGER TECH CT. SUITE 100 ORLANDO, FL 32826</p>		<p>PROPRIETARY INFORMATION THIS DOCUMENT CONTAINS PROPRIETARY INFORMATION OF LIGHTPATH TECHNOLOGIES AND IS NOT TO BE DISCLOSED OR REPRODUCED IN WHOLE OR PART, OR USED FOR MANUFACTURING FOR ANYONE OTHER THAN LIGHTPATH TECHNOLOGIES WITHOUT ITS WRITTEN CONSENT. NO RIGHT IS GRANTED TO DISCLOSE OR USE ANY INFORMATION CONTAINED IN SAID DOCUMENT.</p>	
DRAW ASYMMONS\ORL		TITLE LENS CODE 355390			
MATERIAL D-ZLAF52LA	SIZE A2	DWG NO 0355390	REV C		
SOFTWARE Pro/ENGINEER	SCALE: 25.00	THIRD ANGLE PROJECTION	SHEET 1 OF 1		