

NOTES: UNLESS OTHERWISE SPECIFIED

1. [-OA1-] IS THE THEORETICAL OPTIC AXIS OF THE FIRST OPTIC SURFACE.

2. ASPHERIC SURFACES ARE DEFINED BY:

$$z(r) = \frac{r^2/R_c}{1 + \sqrt{1 - (1 + K)(r/R_c)^2}} + \sum_i A_{2i}r^{2i}$$

WHERE: Y= RADIAL DISTANCE FROM VERTEX IN mm

3. SURFACE DEFINITIONS:

	SURFACE 1	SURFACE 2
TYPE	ASPHERE	PLANO
SHAPE	CX	PL
CA	Ø3.00	Ø2.44
R _C	2.163055	PLANO
K	-0.697919	0.000000
A ₂	0.000000E0	0.000000E0
A ₄	2.283444E-3	0.000000E0
A ₆	1.732258E-5	0.000000E0
A ₈	-1.277961E-5	0.000000E0
A ₁₀	-3.711790E-6	0.000000E0
A ₁₂	0.000000E0	0.000000E0
A ₁₄	0.000000E0	0.000000E0
A ₁₆	0.000000E0	0.000000E0

4. NOMINAL DESIGN PARAMETERS.

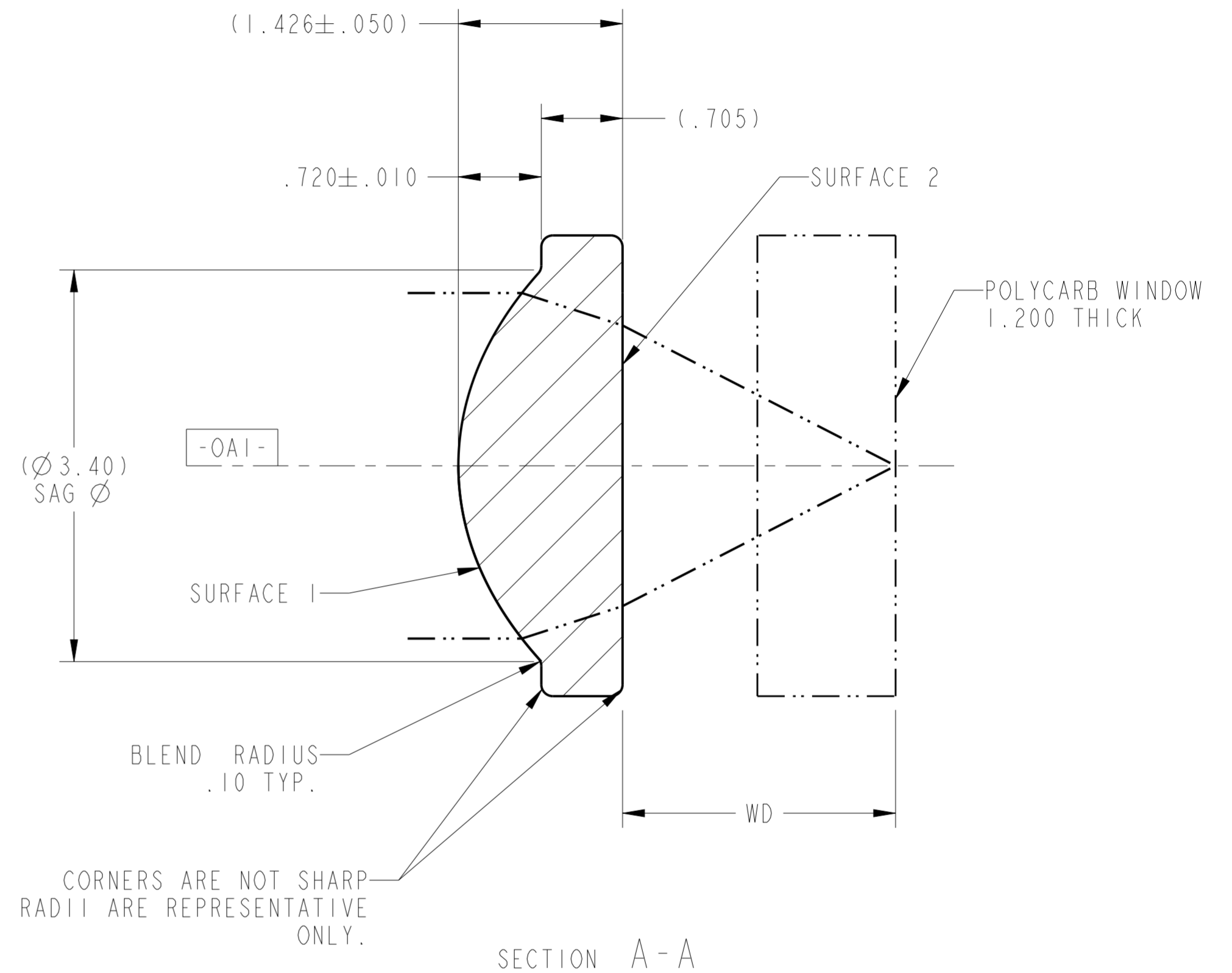
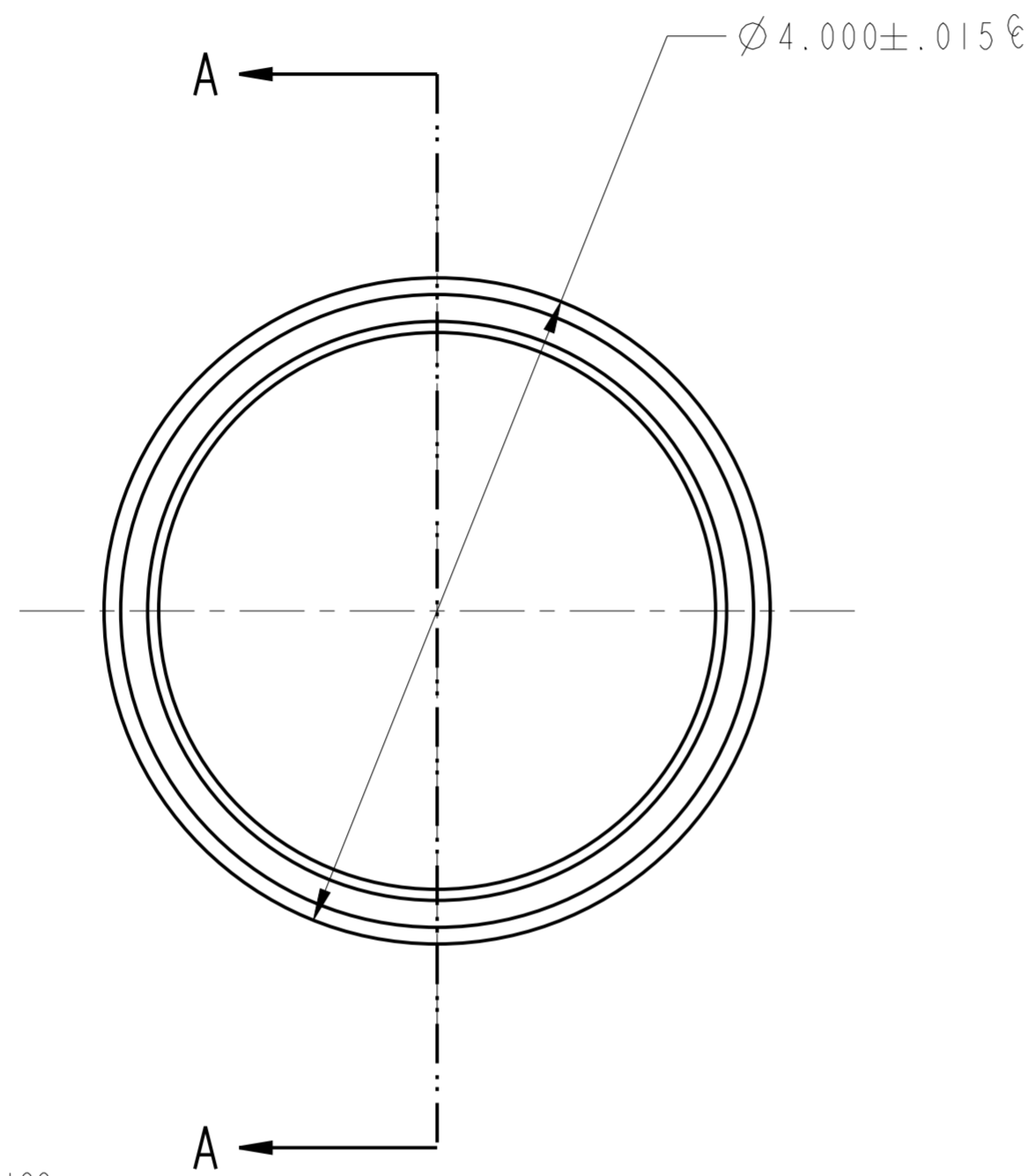
DESIGN WAVELENGTH	780 nm
W.D.	2.4 mm
N.A.	0.6
E.F.L.	2.7mm ± 1.0%

5. FEATURES IDENTIFIED AS Ⓔ ARE CRITICAL CHARACTERISTICS. CRITICAL CHARACTERISTICS ARE GUARANTEED IN PRODUCTION.

6. THIS ELEMENT MUST MEET THE SCRATCH/DIG REQUIREMENTS ACROSS THE FULL CLEAR APERTURES INDICATED, BOTH SIDES, PER LIGHTPATH PWI INS-8.2-05P6.Ⓔ
-00: S/D: 40/20

7. THIS ELEMENT IS USED AS A COLLIMATING LENS.
WAVEFRONT ERROR: @ 100% APERTURE < 0.087 WAVES RMS @ 632.8nm;
@ 50% APERTURE < 0.270 WAVES P-V
PER LIGHTPATH PWI INS-8.2-03.Ⓔ

REVISION HISTORY				
REV	DCO	DESCRIPTION	DATE	INITIALS
A	2089	INITIAL RELEASE	04/14/09	ASYMMONS
B	4383	UPDATED FORMAT	12/21/15	PL



CORNERS ARE NOT SHARP
RADIi ARE REPRESENTATIVE
ONLY.

SECTION A-A

UNLESS OTHERWISE SPECIFIED
DIMENSIONS ARE IN MM.
DECIMAL TOLERANCES ARE:
.X ± 0.25
.XX ± 0.10
.XXX ± 0.025
.XXXX ± 0.013
ANGLES: ± 0.5°

LightPath
TECHNOLOGIES

2603 CHALLENGER TECH CT., SUITE 100
ORLANDO, FL 32826

PROPRIETARY INFORMATION
THIS DOCUMENT CONTAINS PROPRIETARY INFORMATION OF LIGHTPATH TECHNOLOGIES
AND IS NOT TO BE DISCLOSED OR REPRODUCED IN WHOLE OR PART, OR USED FOR
MANUFACTURING FOR ANYONE OTHER THAN LIGHTPATH TECHNOLOGIES WITHOUT ITS
WRITTEN CONSENT. NO RIGHT IS GRANTED TO DISCLOSE OR USE ANY INFORMATION
CONTAINED IN SAID DOCUMENT.

DRAWN
ASYMMONS\ORL

TITLE
LENS CODE 355160

MATERIAL
D-ZLAF52LA(m)

SIZE
A2

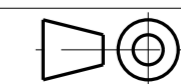
DWG NO
0355160

REV
B

SOFTWARE
Pro/ENGINEER

SCALE:
25.00

THIRD ANGLE PROJECTION



SHEET
1 OF 1

DWG NO
0355160