

NOTES: UNLESS OTHERWISE SPECIFIED

- OA1- IS THE THEORETICAL OPTIC AXIS OF THE FIRST OPTIC SURFACE.
- OA2- IS THE THEORETICAL OPTIC AXIS OF THE SECOND OPTIC SURFACE.
- ASPHERIC SURFACES ARE DEFINED BY:

$$z(r) = \frac{r^2/R_c}{1 + \sqrt{1 - (1 + K)(r/R_c)^2}} + \sum_i A_{2i}r^{2i}$$

WHERE: r= RADIAL DISTANCE FROM VERTEX IN mm

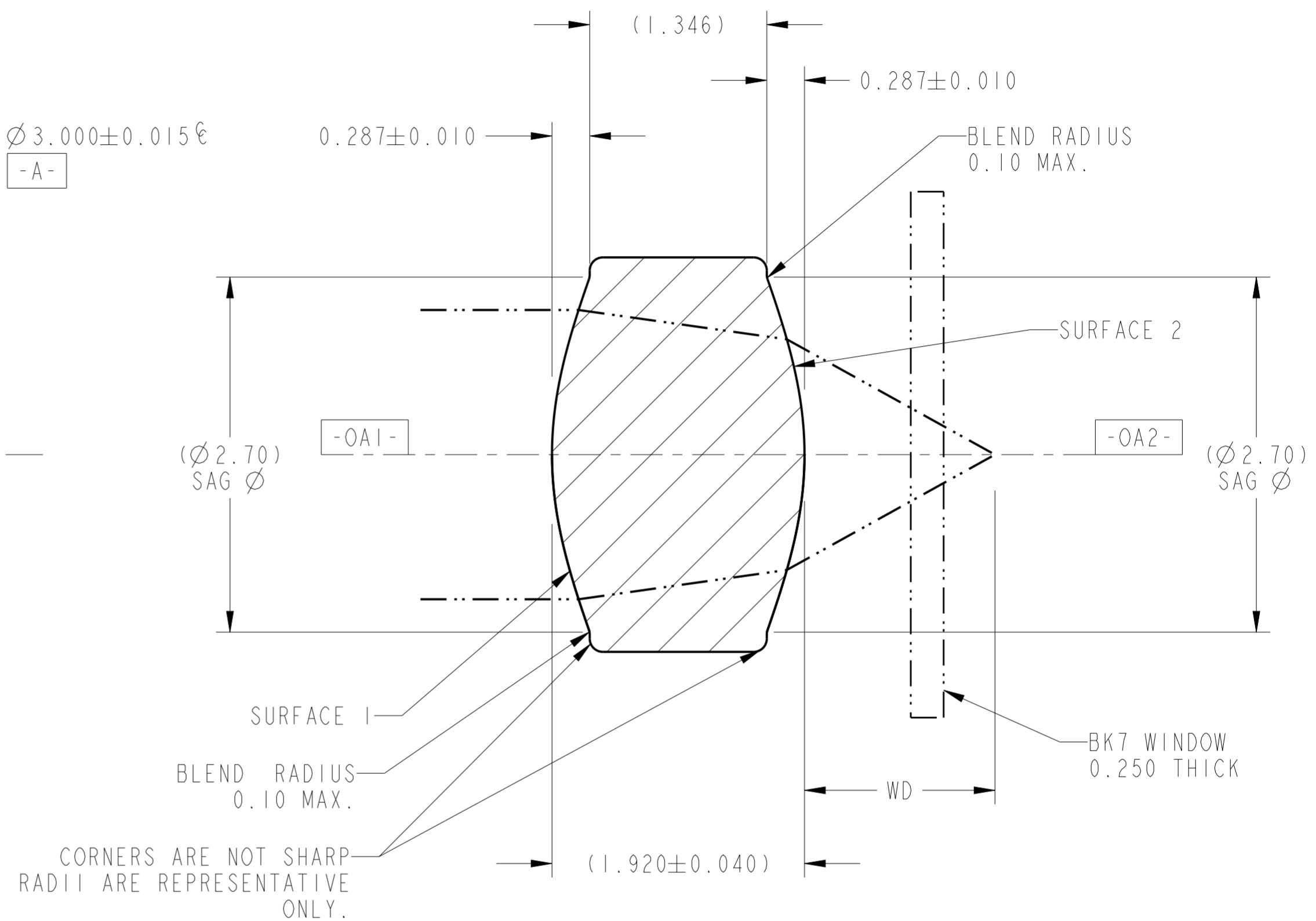
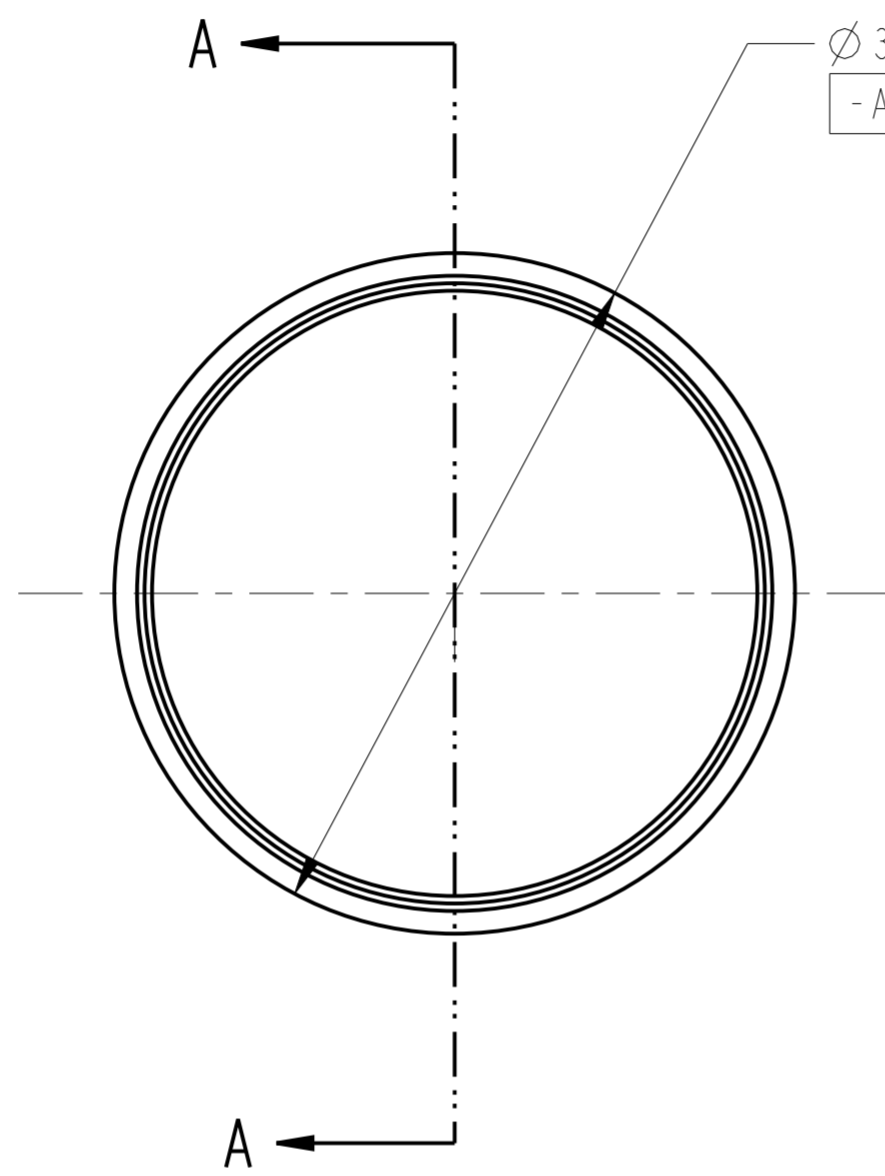
4. SURFACE DEFINITIONS:

	SURFACE 1	SURFACE 2
TYPE	ASPHERE	ASPHERE
SHAPE	CX	CX
CA	Ø2.20	Ø2.20
R _c	2.667097	-2.667097
K	-1.293074	-1.293074
A ₂	0.000000E0	0.000000E0
A ₄	-1.298679E-2	1.298679E-2
A ₆	-2.950426E-3	2.950426E-3
A ₈	3.536354E-4	-3.536354E-4
A ₁₀	9.532957E-4	-9.532957E-4
A ₁₂	-2.948211E-4	2.948211E-4
A ₁₄	0.000000E0	0.000000E0
A ₁₆	0.000000E0	0.000000E0

5. NOMINAL DESIGN PARAMETERS:

DESIGN WAVELENGTH	780 nm
W.D.	1.4 mm
N.A.	0.5
E.F.L.	2.0mm ± 1.0%

- FEATURES IDENTIFIED AS Ⓢ ARE CRITICAL CHARACTERISTICS. CRITICAL CHARACTERISTICS ARE GUARANTEED IN PRODUCTION.
- THIS ELEMENT MUST MEET THE SCRATCH/DIG REQUIREMENTS ACROSS THE FULL CLEAR APERTURES INDICATED, BOTH SIDES, PER LIGHTPATH PWI INS-8.2-05P6. Ⓢ
-00: S/D: 40/20.
- THIS ELEMENT IS USED AS A COLLIMATING LENS.
WAVEFRONT ERROR: .250 WAVES TO 1.150 WAVES SA @ 632.8nm.
PER LIGHTPATH PWI INS-8.2-13. Ⓢ



SECTION A-A

REVISION HISTORY				
REV	DCO	DESCRIPTION	DATE	INITIALS
A	2166	INITIAL RELEASE	07/13/09	ASYMMONS
B	3466	ADD N/A TO WAVEFRONT	4/19/13	JL
C	4252	REFORMAT	08/31/15	DS

UNLESS OTHERWISE SPECIFIED
DIMENSIONS ARE IN MM.
DECIMAL TOLERANCES ARE:
.X ± 0.25
.XX ± 0.10
.XXX ± 0.025
.XXXX ± 0.013
ANGLES: ± 0.5°

DRAWN
ASYMMONS\ORL

MATERIAL
D-ZLAF52LA(m)

SOFTWARE
Pro/ENGINEER

LightPath
TECHNOLOGIES
2603 CHALLENGER TECH CT. SUITE 100
ORLANDO, FL 32826

PROPRIETARY INFORMATION
THIS DOCUMENT CONTAINS PROPRIETARY INFORMATION OF LIGHTPATH TECHNOLOGIES AND IS NOT TO BE DISCLOSED OR REPRODUCED IN WHOLE OR PART, OR USED FOR MANUFACTURING FOR ANYONE OTHER THAN LIGHTPATH TECHNOLOGIES WITHOUT ITS WRITTEN CONSENT. NO RIGHT IS GRANTED TO DISCLOSE OR USE ANY INFORMATION CONTAINED IN SAID DOCUMENT.

TITLE
LENS CODE 355150

SIZE A2 DWG NO 0355150 REV C

SCALE: 30.00 THIRD ANGLE PROJECTION SHEET 1 OF 1

DWG NO
0355150

REV
C

SH
1