

REVISION HISTORY				
REV	DCO	DESCRIPTION	DATE	INITIALS
A	2485	INITIAL RELEASE	11/16/10	BAUZ
B	4382	UPDATED FORMAT	12/21/15	PL

NOTES: UNLESS OTHERWISE SPECIFIED

- OAI- IS THE THEORETICAL OPTIC AXIS OF THE FIRST OPTIC SURFACE.
- ASPHERIC SURFACES ARE DEFINED BY:

$$z(r) = \frac{r^2/R_c}{1 + \sqrt{1 - (1 + K)(r/R_c)^2}} + \sum_i A_{2i}r^{2i}$$

WHERE: Y= RADIAL DISTANCE FROM VERTEX IN mm

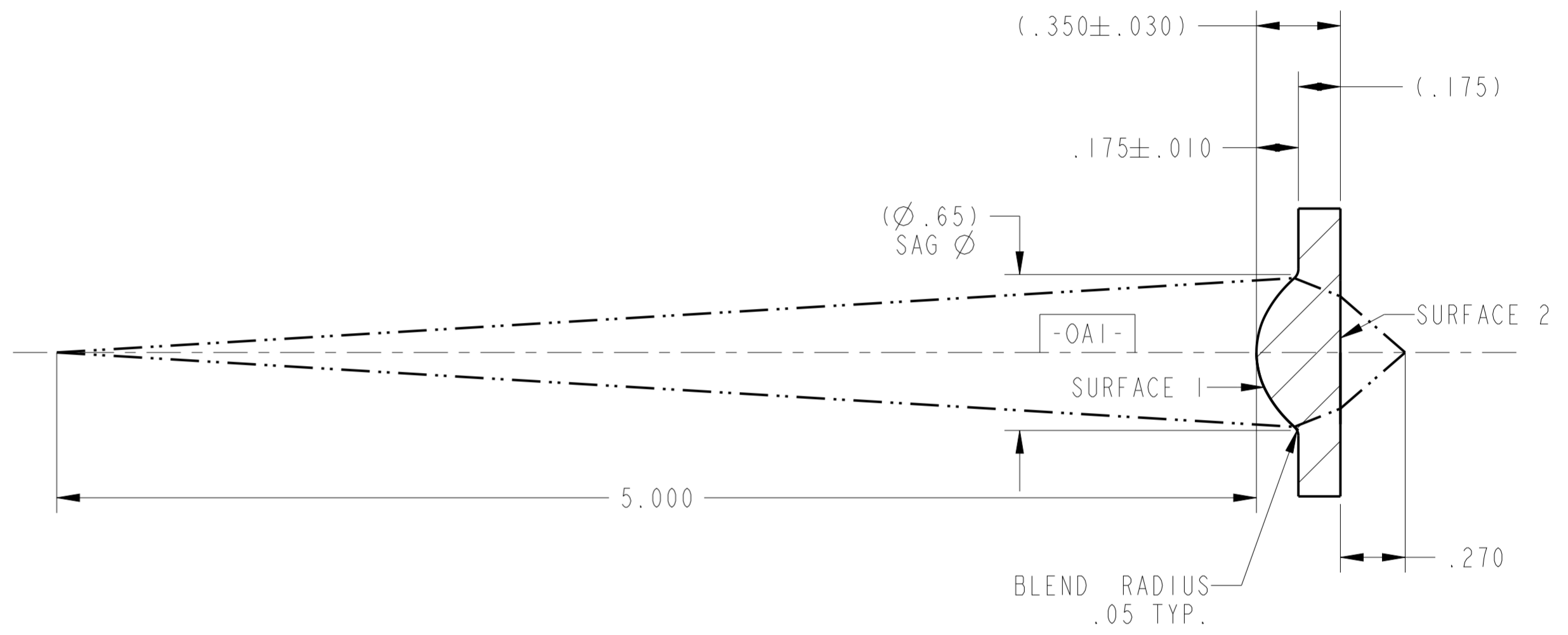
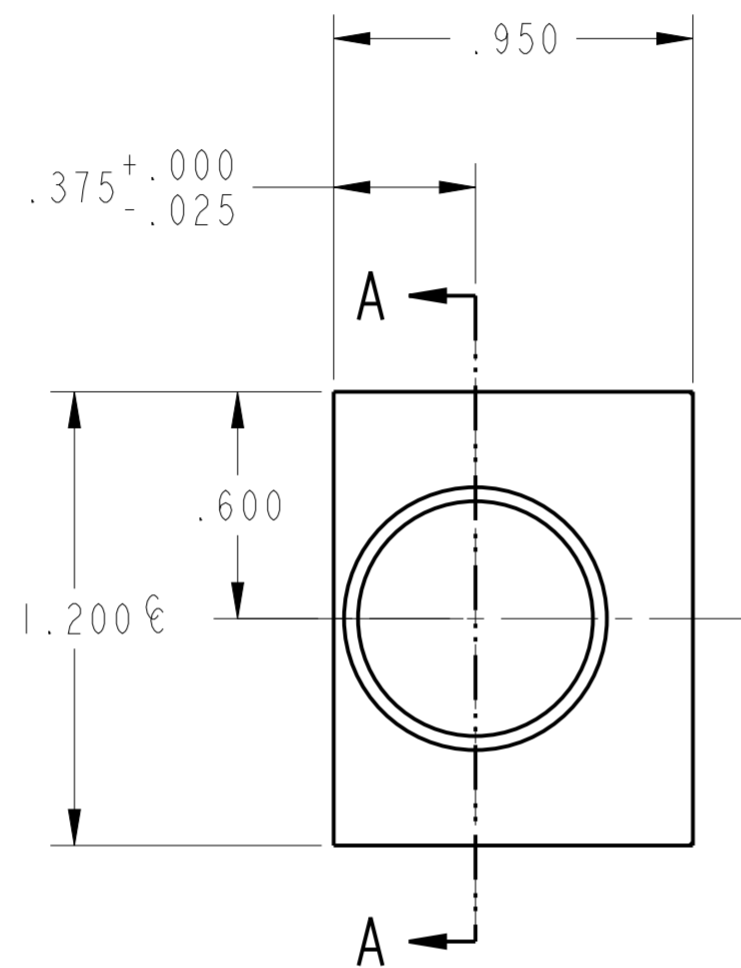
3. SURFACE DEFINITIONS:

	SURFACE 1	SURFACE 2
TYPE	ASPHERE	PLANO
SHAPE	CX	PL
CA	∅0.62	∅0.47
R _C	0.330905	PLANO
K	-0.796742	0.000000
A ₂	0.000000E0	0.000000E0
A ₄	6.491413E-1	0.000000E0
A ₆	3.289416E-1	0.000000E0
A ₈	-5.463199E0	0.000000E0
A ₁₀	-2.733233E1	0.000000E0
A ₁₂	0.000000E0	0.000000E0
A ₁₄	0.000000E0	0.000000E0
A ₁₆	0.000000E0	0.000000E0

4. NOMINAL DESIGN PARAMETERS.

DESIGN WAVELENGTH	1550 nm
W.D.	5.0/0.3 mm
N.A.	0.1/0.7
E.F.L.	0.4mm ± 1.0%

- FEATURES IDENTIFIED AS Ⓒ ARE CRITICAL CHARACTERISTICS. CRITICAL CHARACTERISTICS ARE GUARANTEED IN PRODUCTION.
- THIS ELEMENT MUST MEET THE SCRATCH/DIG REQUIREMENTS ACROSS THE FULL CLEAR APERTURES INDICATED, BOTH SIDES, PER LIGHTPATH PWI INS-8.2-05P6.Ⓒ
-00: S/D: 40/20
- THIS ELEMENT IS USED AS A COLLIMATING LENS.
WAVEFRONT ERROR: @ 100% APERTURE < 0.060 WAVES RMS @ 632.8nm;
@ 50% APERTURE REJECT ONLY FOR DATA DROP OUT DUE TO MAL-FORMED LENS.
PER LIGHTPATH PWI INS-8.2-13.Ⓒ



SECTION A - A



UNLESS OTHERWISE SPECIFIED DIMENSIONS ARE IN MM. DECIMAL TOLERANCES ARE: .X ± 0.25 .XX ± 0.10 .XXX ± 0.025 .XXXX ± 0.013 ANGLES: ± 0.5°		LightPath <small>TECHNOLOGIES</small> 2603 CHALLENGER TECH CT. SUITE 100 ORLANDO, FL 32826		<small>PROPRIETARY INFORMATION</small> THIS DOCUMENT CONTAINS PROPRIETARY INFORMATION OF LIGHTPATH TECHNOLOGIES AND IS NOT TO BE DISCLOSED OR REPRODUCED IN WHOLE OR PART, OR USED FOR MANUFACTURING FOR ANYONE OTHER THAN LIGHTPATH TECHNOLOGIES WITHOUT ITS WRITTEN CONSENT. NO RIGHT IS GRANTED TO DISCLOSE OR USE ANY INFORMATION CONTAINED IN SAID DOCUMENT.	
DRAWN BAUZ\ORL		TITLE LENS CODE 355070			
MATERIAL D-ZLAF52LA(m)	SIZE A2	DWG NO 0355070	REV B		
SOFTWARE Pro/ENGINEER	SCALE: 50.00	THIRD ANGLE PROJECTION	SHEET 1 OF 1		