

NOTES: UNLESS OTHERWISE SPECIFIED

REVISION HISTORY				
REV	DCO	DESCRIPTION	DATE	INITIALS
A	2163	INITIAL RELEASE	07/06/09	ASYMMONS
B	4380	UPDATED FORMAT	12/16/15	PL

1. [-OAI-] IS THE THEORETICAL OPTIC AXIS OF THE FIRST OPTIC SURFACE.

2. ASPHERIC SURFACES ARE DEFINED BY:

$$z(r) = \frac{r^2/R_c}{1 + \sqrt{1 - (1 + K)(r/R_c)^2}} + \sum_i A_{2i}r^{2i}$$

WHERE: Y= RADIAL DISTANCE FROM VERTEX IN mm

3. SURFACE DEFINITIONS:

	SURFACE 1	SURFACE 2
TYPE	ASPHERE	PLANO
SHAPE	CX	PL
CA	∅5.50	∅5.13
R <sub>C</sub>	12.825300	PLANO
K	-0.688700	0.000000
A <sub>2</sub>	0.000000E0	0.000000E0
A <sub>4</sub>	6.069000E-6	0.000000E0
A <sub>6</sub>	0.000000E0	0.000000E0
A <sub>8</sub>	0.000000E0	0.000000E0
A <sub>10</sub>	0.000000E0	0.000000E0
A <sub>12</sub>	0.000000E0	0.000000E0
A <sub>14</sub>	0.000000E0	0.000000E0
A <sub>16</sub>	0.000000E0	0.000000E0

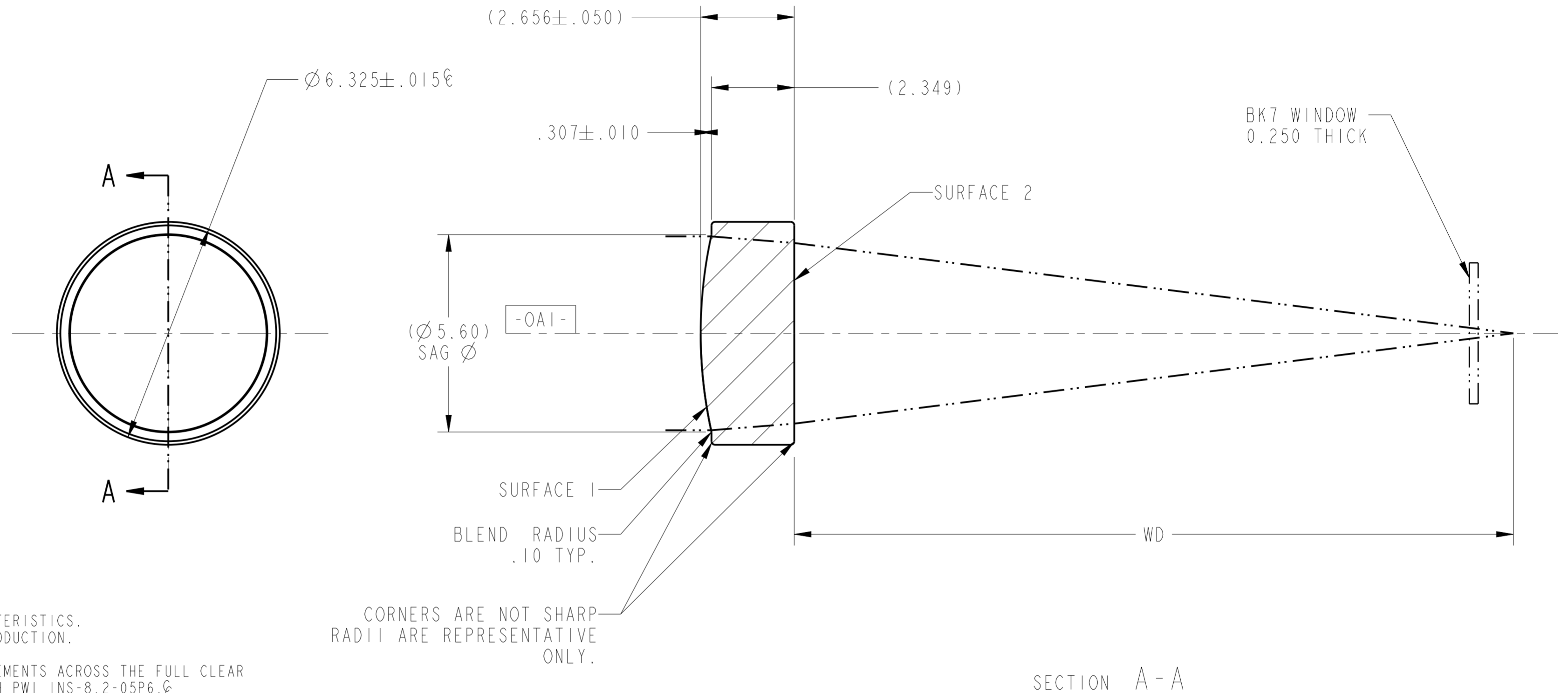
4. NOMINAL DESIGN PARAMETERS.

DESIGN WAVELENGTH	670 nm
W.D.	20.4 mm
N.A.	0.1
E.F.L.	22.0mm ± 1.0%

5. FEATURES IDENTIFIED AS Ⓢ ARE CRITICAL CHARACTERISTICS. CRITICAL CHARACTERISTICS ARE GUARANTEED IN PRODUCTION.

6. THIS ELEMENT MUST MEET THE SCRATCH/DIG REQUIREMENTS ACROSS THE FULL CLEAR APERTURES INDICATED, BOTH SIDES, PER LIGHTPATH PWI INS-8.2-05P6. Ⓢ -00: S/D: 40/20

7. THIS ELEMENT IS USED AS A COLLIMATING LENS. WAVEFRONT ERROR: @ 100% APERTURE < 0.070 WAVES RMS @ 632.8nm; @ 50% APERTURE < 0.270 WAVES P-V PER LIGHTPATH PWI INS-8.2-03. Ⓢ



SECTION A-A

UNLESS OTHERWISE SPECIFIED  
DIMENSIONS ARE IN MM.  
DECIMAL TOLERANCES ARE:  
.X ± 0.25  
.XX ± 0.10  
.XXX ± 0.025  
.XXXX ± 0.013  
ANGLES: ± 0.5°

**LightPath**  
TECHNOLOGIES

2603 CHALLENGER TECH CT. SUITE 100  
ORLANDO, FL 32826

PROPRIETARY INFORMATION  
THIS DOCUMENT CONTAINS PROPRIETARY INFORMATION OF LIGHTPATH TECHNOLOGIES AND IS NOT TO BE DISCLOSED OR REPRODUCED IN WHOLE OR PART, OR USED FOR MANUFACTURING FOR ANYONE OTHER THAN LIGHTPATH TECHNOLOGIES WITHOUT ITS WRITTEN CONSENT. NO RIGHT IS GRANTED TO DISCLOSE OR USE ANY INFORMATION CONTAINED IN SAID DOCUMENT.

DRAWN  
ASYMMONS\ORL

TITLE  
LENS CODE 354850

MATERIAL  
D-ZK3(m)

SIZE  
A2

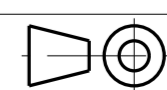
DWG NO  
0354850

REV  
B

SOFTWARE  
Pro/ENGINEER

SCALE:  
10.00

THIRD ANGLE PROJECTION



SHEET  
1 OF 1