

NOTES: UNLESS OTHERWISE SPECIFIED

1. **-OAI-** IS THE THEORETICAL OPTIC AXIS OF THE FIRST OPTIC SURFACE.
2. ASPHERIC SURFACES ARE DEFINED BY:

$$z(r) = \frac{r^2/R_c}{1 + \sqrt{1 - (1 + K)(r/R_c)^2}} + \sum_i A_{2i}r^{2i}$$

WHERE: Y= RADIAL DISTANCE FROM VERTEX IN mm

3. SURFACE DEFINITIONS:

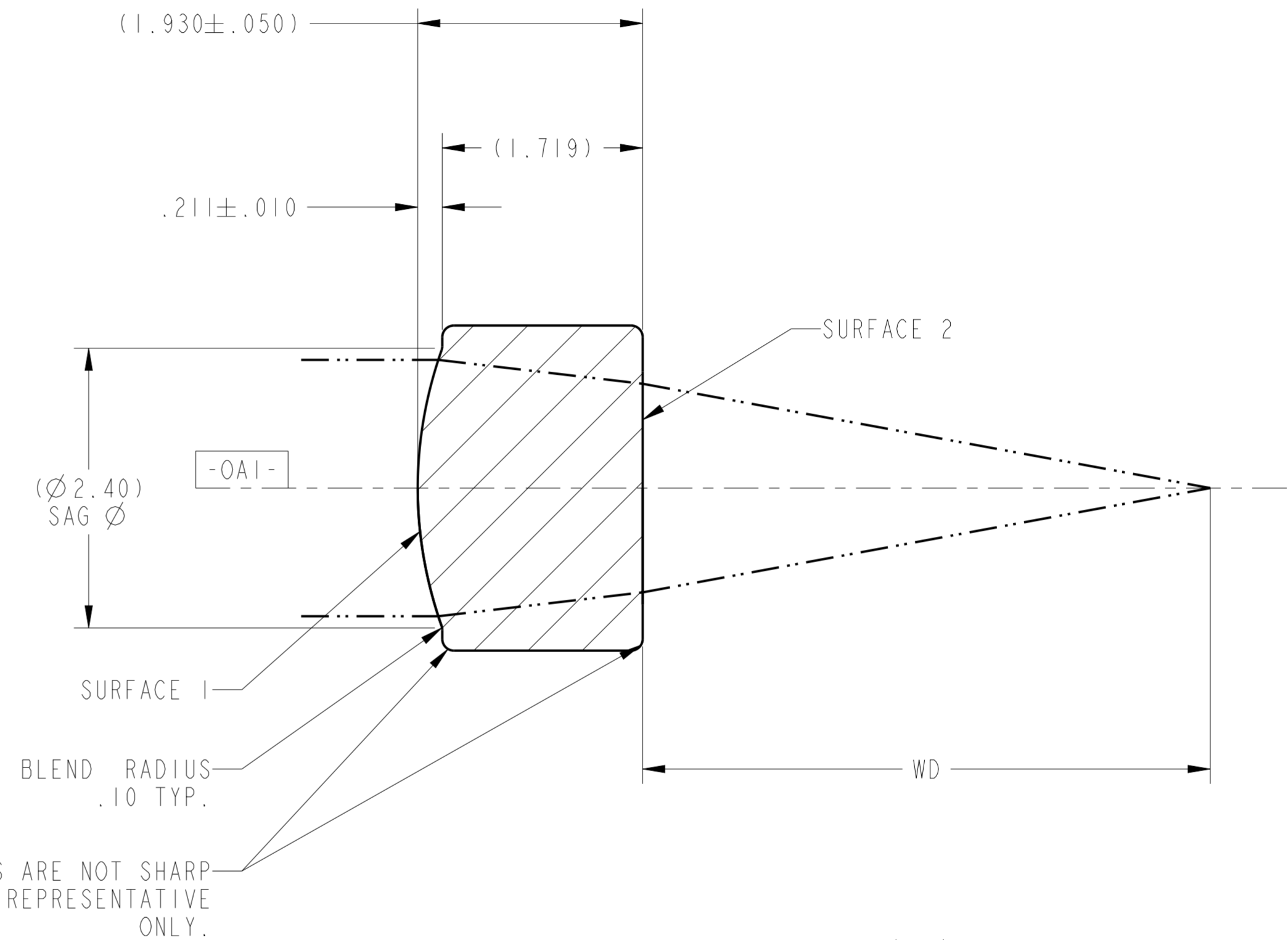
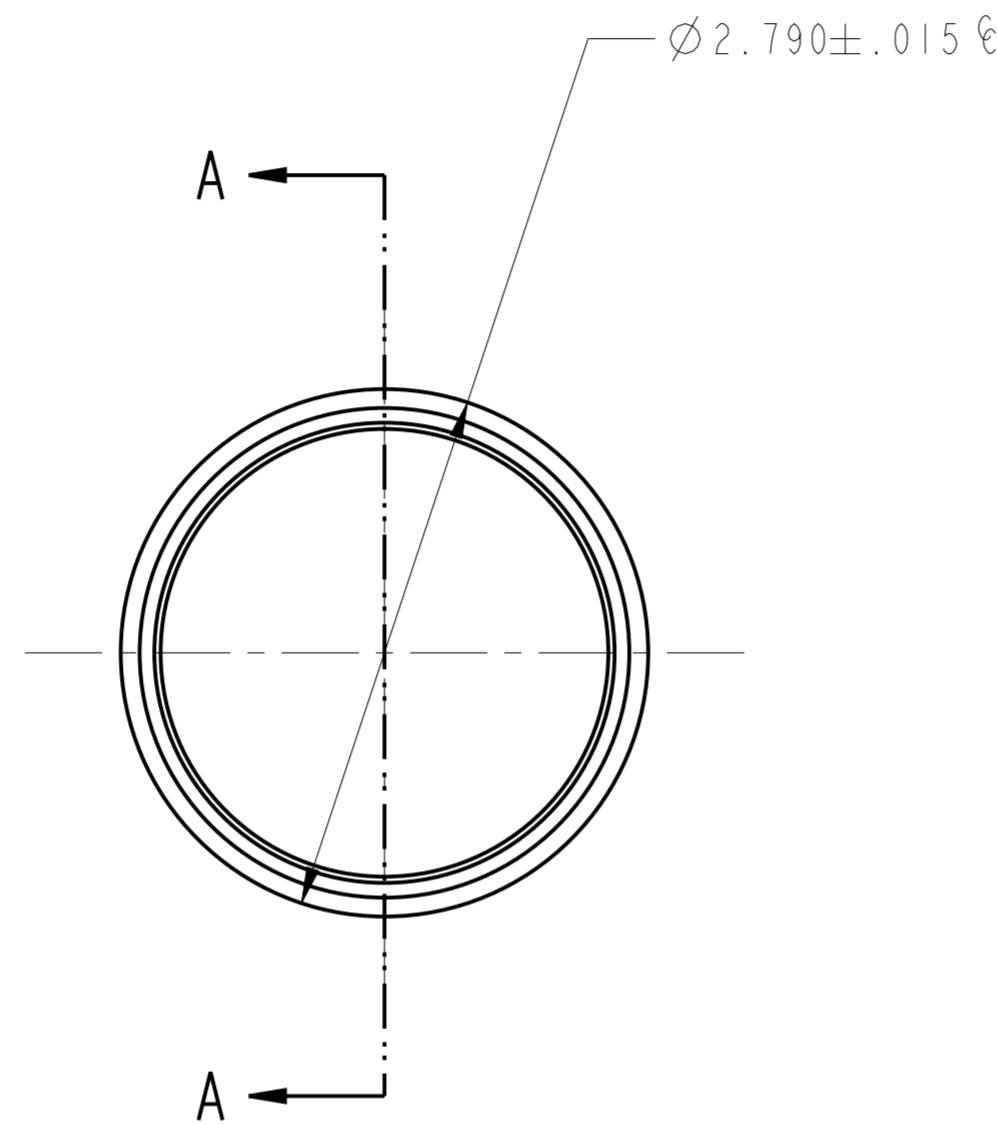
	SURFACE 1	SURFACE 2
TYPE	ASPHERE	PLANO
SHAPE	CX	PL
CA	∅2.20	∅1.79
R <sub>C</sub>	3.463078	PLANO
K	-0.565421	0.000000
A <sub>2</sub>	0.000000E0	0.000000E0
A <sub>4</sub>	0.000000E0	0.000000E0
A <sub>6</sub>	0.000000E0	0.000000E0
A <sub>8</sub>	0.000000E0	0.000000E0
A <sub>10</sub>	0.000000E0	0.000000E0
A <sub>12</sub>	0.000000E0	0.000000E0
A <sub>14</sub>	0.000000E0	0.000000E0
A <sub>16</sub>	0.000000E0	0.000000E0

4. NOMINAL DESIGN PARAMETERS.

DESIGN WAVELENGTH	1550 nm
W.D.	4.9 mm
N.A.	0.2
E.F.L.	6.1mm ± 1.0%

5. FEATURES IDENTIFIED AS Ⓢ ARE CRITICAL CHARACTERISTICS. CRITICAL CHARACTERISTICS ARE GUARANTEED IN PRODUCTION.
6. THIS ELEMENT MUST MEET THE SCRATCH/DIG REQUIREMENTS ACROSS THE FULL CLEAR APERTURES INDICATED, BOTH SIDES, PER LIGHTPATH PWI INS-8.2-05P6.Ⓢ -00: S/D: 40/20
7. THIS ELEMENT IS USED AS A COLLIMATING LENS.  
WAVEFRONT ERROR: @ 100% APERTURE < 0.173 WAVES RMS @ 632.8nm;  
@ 50% APERTURE < 0.270 WAVES P-V  
PER LIGHTPATH PWI INS-8.2-13.Ⓢ

REVISION HISTORY				
REV	DCO	DESCRIPTION	DATE	INITIALS
A	1956	INITIAL RELEASE	02/25/08	ASYMMONS
B	2260	UPDATED TO CURRENT STANDARDS	12/17/09	ASYMMONS
C	4371	UPDATED FORMAT	12/10/15	PL
D	4881	CORRECTED MATERIAL BLOCK TO D-ZK3	02/20/17	PL



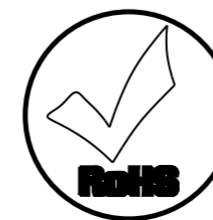
SECTION A-A

UNLESS OTHERWISE SPECIFIED DIMENSIONS ARE IN MM. DECIMAL TOLERANCES ARE: .X ± 0.25 .XX ± 0.10 .XXX ± 0.025 .XXXX ± 0.013 ANGLES: ± 0.5°	
DRAWN ASYMMONS\ORL	
MATERIAL D-ZK3	SOFTWARE Pro/ENGINEER

**LightPath**  
TECHNOLOGIES  
2603 CHALLENGER TECH CT. SUITE 100  
ORLANDO, FL 32826

PROPRIETARY INFORMATION  
THIS DOCUMENT CONTAINS PROPRIETARY INFORMATION OF LIGHTPATH TECHNOLOGIES AND IS NOT TO BE DISCLOSED OR REPRODUCED IN WHOLE OR PART, OR USED FOR MANUFACTURING FOR ANYONE OTHER THAN LIGHTPATH TECHNOLOGIES WITHOUT ITS WRITTEN CONSENT. NO RIGHT IS GRANTED TO DISCLOSE OR USE ANY INFORMATION CONTAINED IN SAID DOCUMENT.

TITLE LENS CODE 354550	
SIZE A2	DWG NO 0354550
SCALE: 25.00	THIRD ANGLE PROJECTION
SHEET 1 OF 1	



DWG NO  
0354550