

NOTES: UNLESS OTHERWISE SPECIFIED

- OA1- IS THE THEORETICAL OPTIC AXIS OF THE FIRST OPTIC SURFACE.
- OA2- IS THE THEORETICAL OPTIC AXIS OF THE SECOND OPTIC SURFACE.
- ASPHERIC SURFACES ARE DEFINED BY:

$$z(r) = \frac{r^2/R_c}{1 + \sqrt{1 - (1+K)(r/R_c)^2}} + \sum_i A_{2i}r^{2i}$$

WHERE: Y= RADIAL DISTANCE FROM VERTEX IN mm

4. SURFACE DEFINITIONS:

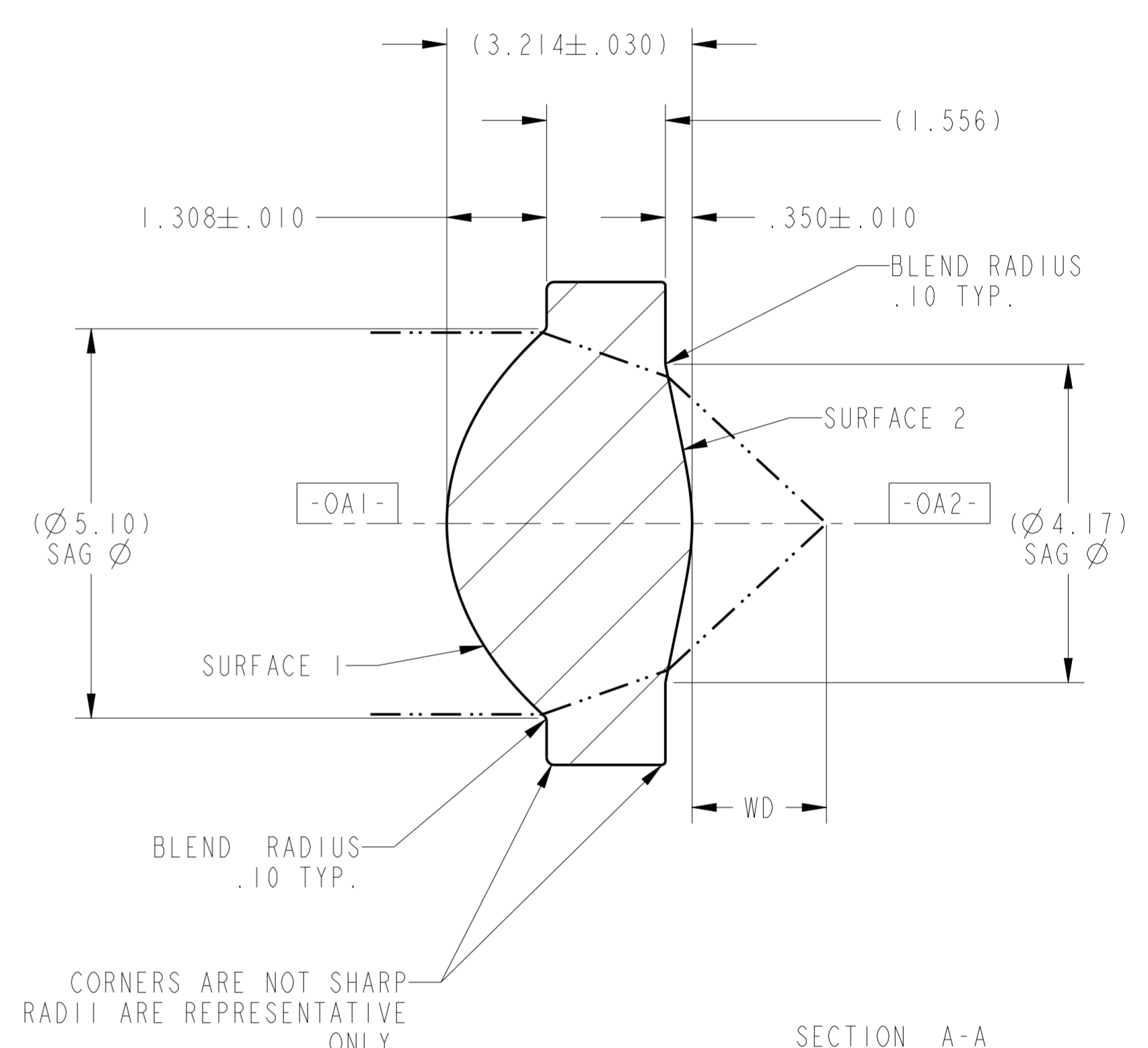
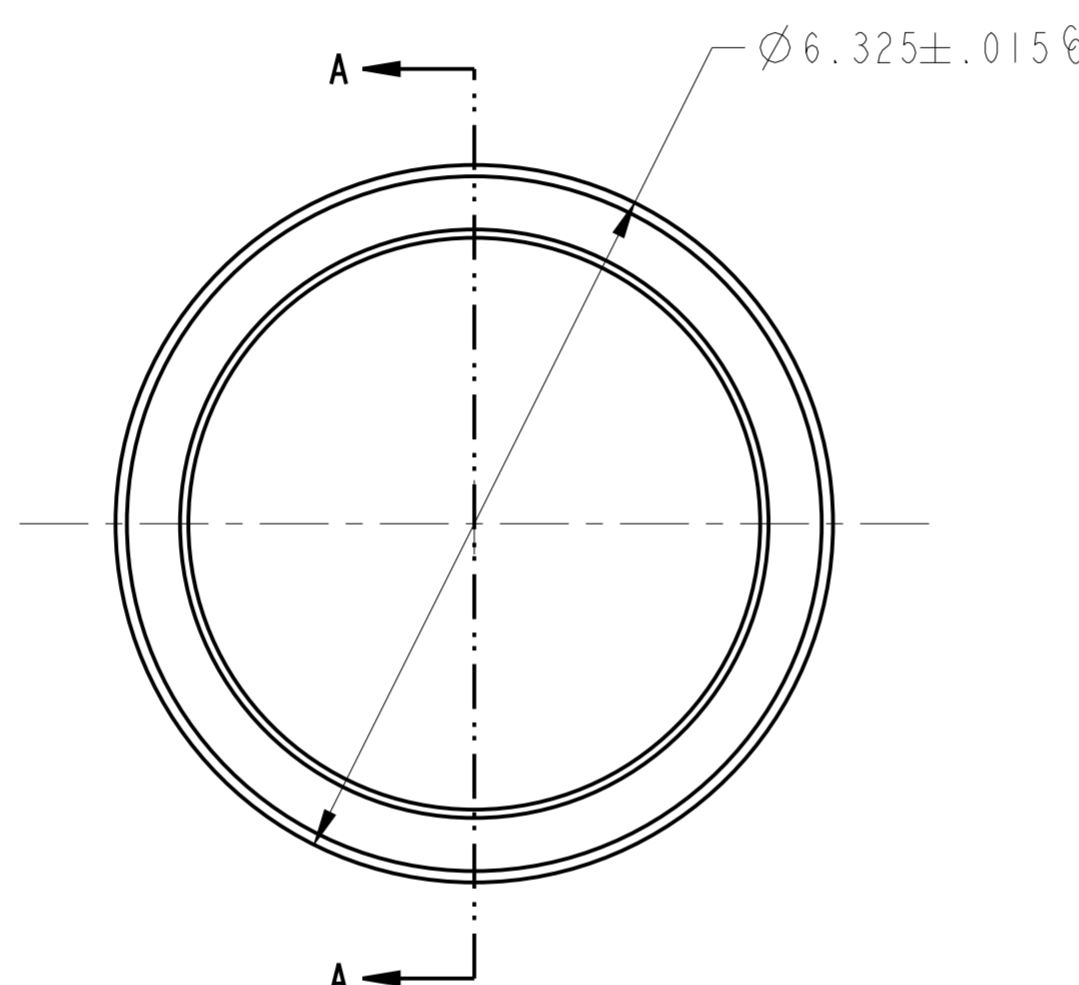
	SURFACE 1	SURFACE 2
TYPE	ASPHERE	ASPHERE
SHAPE	CX	CX
CA	∅5.00	∅3.84
R <sub>C</sub>	2.725382	-2.979042
K	-0.542123	-12.102853
A <sub>2</sub>	0.000000E0	0.000000E0
A <sub>4</sub>	-2.077710E-5	8.068905E-3
A <sub>6</sub>	-1.373930E-4	-1.725894E-3
A <sub>8</sub>	2.029328E-5	1.839072E-4
A <sub>10</sub>	-2.961194E-6	-8.936267E-6
A <sub>12</sub>	0.000000E0	0.000000E0
A <sub>14</sub>	0.000000E0	0.000000E0
A <sub>16</sub>	0.000000E0	0.000000E0

5. NOMINAL DESIGN PARAMETERS:

DESIGN WAVELENGTH	830 nm
W.D.	1.8 mm
N.A.	0.7
E.F.L.	3.1mm ± 1.0%

- FEATURES IDENTIFIED AS Ⓢ ARE CRITICAL CHARACTERISTICS. CRITICAL CHARACTERISTICS ARE GUARANTEED IN PRODUCTION
- THIS ELEMENT MUST MEET THE SCRATCH/DIG REQUIREMENTS ACROSS THE FULL CLEAR APERTURES INDICATED, BOTH SIDES, PER LIGHTPATH PWI INS-8.2-05P6. Ⓢ  
-00: S/D: 40/20.
- THIS ELEMENT IS USED AS A COLLIMATING LENS.  
WAVEFRONT ERROR:  
@ 100% < 0.40 WAVES RMS @ 632.8nm  
IF RMS IS > 0.40, THEN SA < 5.1 TO PASS  
PER LIGHTPATH PWI INS-8.2-03. Ⓢ

REVISION HISTORY				
REV	DCO	DESCRIPTION	DATE	INITIALS
A	3055	INITIAL RELEASE	01/11/12	BAUZ
B	3187	UPDATE MATERIAL, PREFORM PART NUMBER	7/24/12	BAUZ
C	4264	NEW CATALOG FORMAT	9/21/15	PL
D	5398	CORRECTED WFE NOTE	5/29/18	TH



UNLESS OTHERWISE SPECIFIED DIMENSIONS ARE IN MM. DECIMAL TOLERANCES ARE: .X ± 0.25 .XX ± 0.10 .XXX ± 0.025 .XXXX ± 0.013 ANGLES: ± 0.5°		<p>2603 CHALLENGER TECH CT. SUITE 100 ORLANDO, FL 32826</p>		<p>PROPRIETARY INFORMATION THIS DOCUMENT CONTAINS PROPRIETARY INFORMATION OF LIGHTPATH TECHNOLOGIES AND IS NOT TO BE DISCLOSED OR REPRODUCED IN WHOLE OR PART, OR USED FOR MANUFACTURING FOR ANYONE OTHER THAN LIGHTPATH TECHNOLOGIES WITHOUT ITS WRITTEN CONSENT. NO RIGHT IS GRANTED TO DISCLOSE OR USE ANY INFORMATION CONTAINED IN SAID DOCUMENT.</p>	
DRAW BAUZ\ORL		TITLE LENS CODE 354330			
MATERIAL D-ZK3(m)		SIZE A2	DWG NO 0354330	REV D	
SOFTWARE Pro/ENGINEER		SCALE: 15.00	THIRD ANGLE PROJECTION	SHEET 1 OF 1	



DWG NO  
0354330