

NOTES: UNLESS OTHERWISE SPECIFIED

1. **-OAI-** IS THE THEORETICAL OPTIC AXIS OF THE FIRST OPTIC SURFACE.

2. ASPHERIC SURFACES ARE DEFINED BY:

$$z(r) = \frac{r^2/R_c}{1 + \sqrt{1 - (1 + K)(r/R_c)^2}} + \sum_i A_{2i}r^{2i}$$

WHERE: Y= RADIAL DISTANCE FROM VERTEX IN mm

3. SURFACE DEFINITIONS:

	SURFACE 1	SURFACE 2
TYPE	ASPHERE	PLANO
SHAPE	CX	PL
CA	Ø 5.00	Ø 4.61
R _C	8.864614	PLANO
K	-0.543613	0.000000
A ₂	0.000000E0	0.000000E0
A ₄	-6.831210E-6	0.000000E0
A ₆	-1.176458E-7	0.000000E0
A ₈	-9.091049E-10	0.000000E0
A ₁₀	0.000000E0	0.000000E0
A ₁₂	0.000000E0	0.000000E0
A ₁₄	0.000000E0	0.000000E0
A ₁₆	0.000000E0	0.000000E0

4. NOMINAL DESIGN PARAMETERS.

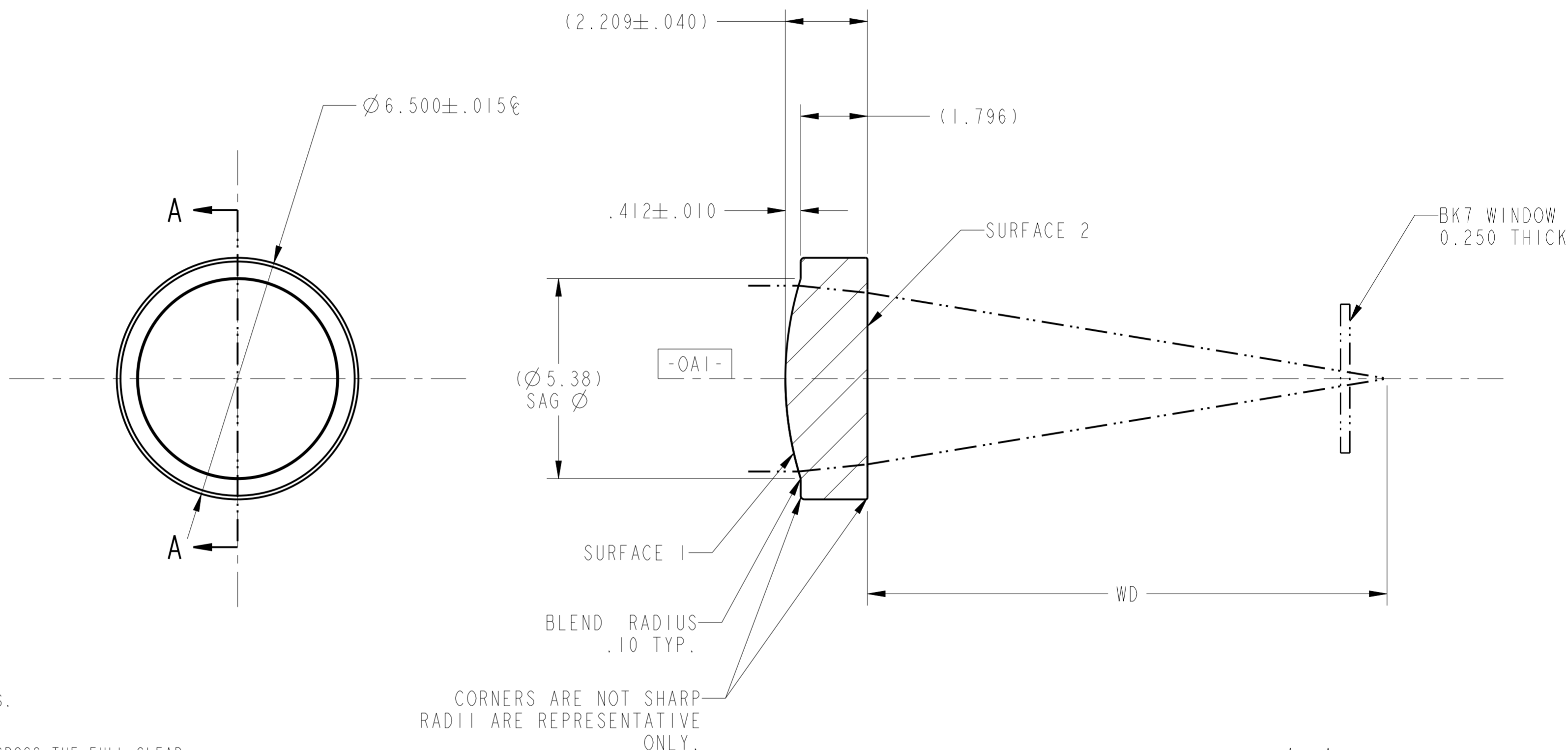
DESIGN WAVELENGTH	780 nm
W.D.	14.0 mm
N.A.	0.2
E.F.L.	15.3mm ± 1.0%

5. FEATURES IDENTIFIED AS **Ⓢ** ARE CRITICAL CHARACTERISTICS. CRITICAL CHARACTERISTICS ARE GUARANTEED IN PRODUCTION.

6. THIS ELEMENT MUST MEET THE SCRATCH/DIG REQUIREMENTS ACROSS THE FULL CLEAR APERTURES INDICATED, BOTH SIDES, PER LIGHTPATH PWI INS-8.2-05P6.Ⓢ -00: S/D: 40/20

7. THIS ELEMENT IS USED AS A COLLIMATING LENS. WAVEFRONT ERROR: @ 100% APERTURE < 0.070 WAVES RMS @ 632.8nm; @ 50% APERTURE < 0.270 WAVES P-V PER LIGHTPATH PWI INS-8.2-03.Ⓢ

REVISION HISTORY				
REV	DCO	DESCRIPTION	DATE	INITIALS
A	2751	INITIAL RELEASE	06/08/11	J.LEITE
B	3306	WAVEFRONT 0.070 WAS 0.040	11/06/12	AS
C	4370	UPDATED FORMAT	12/09/15	PL



SECTION A-A

UNLESS OTHERWISE SPECIFIED
DIMENSIONS ARE IN MM.
DECIMAL TOLERANCES ARE:
.X ± 0.25
.XX ± 0.10
.XXX ± 0.025
.XXXX ± 0.013
ANGLES: ± 0.5°

LightPath
TECHNOLOGIES

2603 CHALLENGER TECH CT. SUITE 100
ORLANDO, FL 32826

PROPRIETARY INFORMATION
THIS DOCUMENT CONTAINS PROPRIETARY INFORMATION OF LIGHTPATH TECHNOLOGIES AND IS NOT TO BE DISCLOSED OR REPRODUCED IN WHOLE OR PART, OR USED FOR MANUFACTURING FOR ANYONE OTHER THAN LIGHTPATH TECHNOLOGIES WITHOUT ITS WRITTEN CONSENT. NO RIGHT IS GRANTED TO DISCLOSE OR USE ANY INFORMATION CONTAINED IN SAID DOCUMENT.

TITLE

LENS CODE 354260

DRAWN

J.LEITE \ ORL

MATERIAL

D-ZK3(m)

SOFTWARE

Pro/ENGINEER

SIZE

A2

DWG NO

0354260

REV

C

SCALE:

10.00

THIRD ANGLE PROJECTION



SHEET

1 OF 1



REV C
SH 1
DWG NO 0354260