

NOTES: UNLESS OTHERWISE SPECIFIED

1. [-OAI-] IS THE THEORETICAL OPTIC AXIS OF THE FIRST OPTIC SURFACE.
2. ASPHERIC SURFACES ARE DEFINED BY:

$$z(r) = \frac{r^2/R_c}{1 + \sqrt{1 - (1 + K)(r/R_c)^2}} + \sum_i A_{2i}r^{2i}$$

WHERE: Y= RADIAL DISTANCE FROM VERTEX IN mm

3. SURFACE DEFINITIONS:

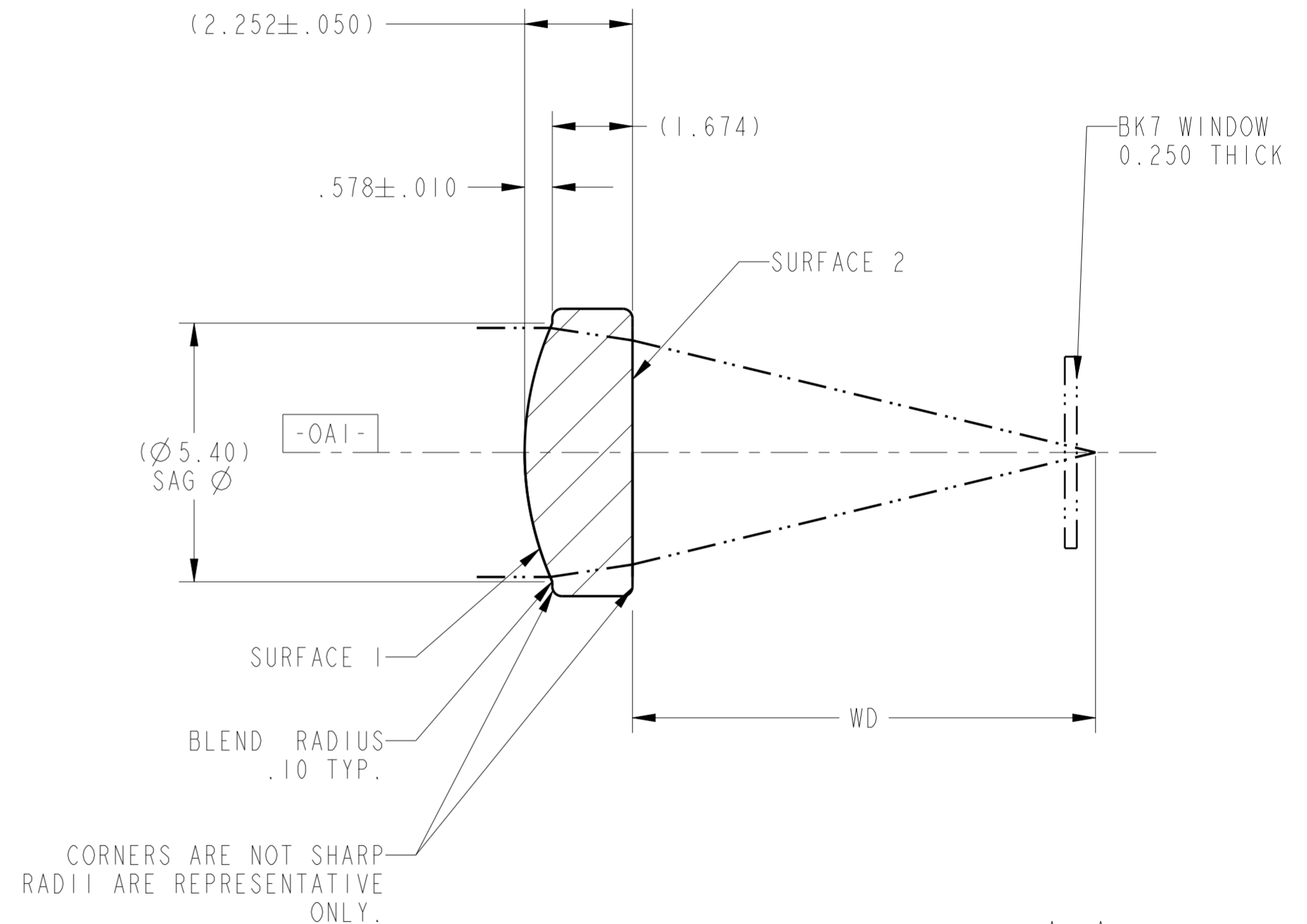
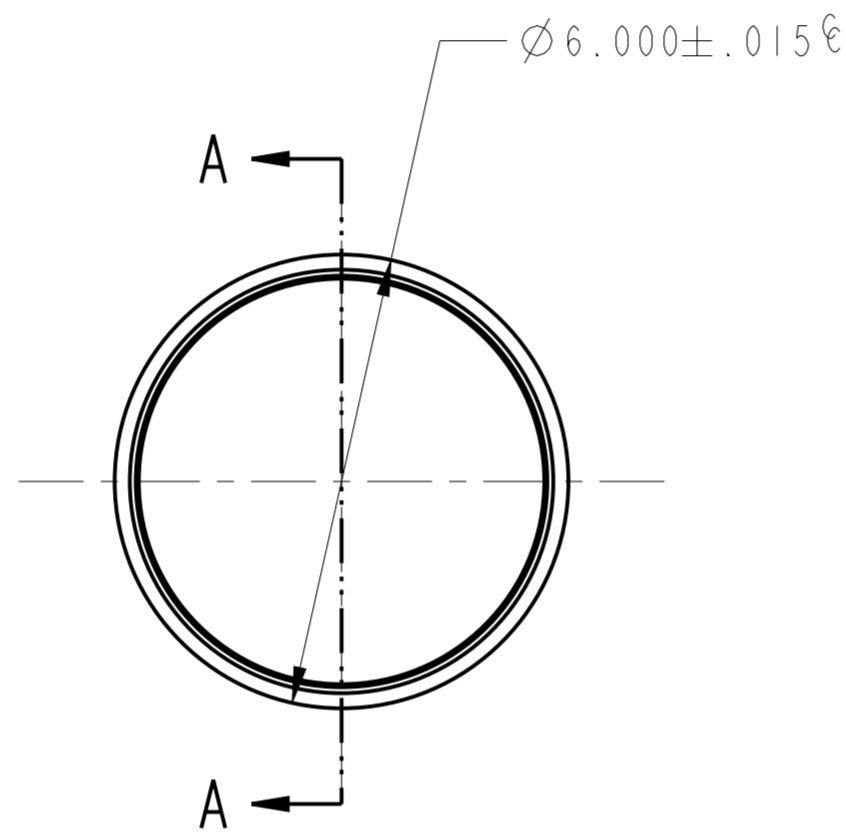
	SURFACE 1	SURFACE 2
TYPE	ASPHERE	PLANO
SHAPE	CX	PL
CA	∅5.20	∅4.68
R _C	6.428042	PLANO
K	-0.573472	0.000000
A ₂	0.000000E0	0.000000E0
A ₄	-3.899434E-7	0.000000E0
A ₆	-4.032671E-7	0.000000E0
A ₈	-6.170868E-9	0.000000E0
A ₁₀	-7.688099E-11	0.000000E0
A ₁₂	0.000000E0	0.000000E0
A ₁₄	0.000000E0	0.000000E0
A ₁₆	0.000000E0	0.000000E0

4. NOMINAL DESIGN PARAMETERS.

DESIGN WAVELENGTH	633 nm
W.D.	9.7 mm
N.A.	0.2
E.F.L.	11.0mm ± 1.0%

5. FEATURES IDENTIFIED AS Ⓢ ARE CRITICAL CHARACTERISTICS. CRITICAL CHARACTERISTICS ARE GUARANTEED IN PRODUCTION.
6. THIS ELEMENT MUST MEET THE SCRATCH/DIG REQUIREMENTS ACROSS THE FULL CLEAR APERTURES INDICATED, BOTH SIDES, PER LIGHTPATH PWI INS-8.2-05P6.Ⓢ -00: S/D: 100/60
7. THIS ELEMENT IS USED AS A COLLIMATING LENS. WAVEFRONT ERROR: @ 100% APERTURE < 0.055 WAVES RMS @ 632.8nm; @ 50% APERTURE < 0.270 WAVES P-V PER LIGHTPATH PWI INS-8.2-03.Ⓢ

REVISION HISTORY				
REV	DCO	DESCRIPTION	DATE	INITIALS
A	2326	INITIAL RELEASE	03/04/10	ASYMMONS
B	4367	UPDATED FORMAT	12/08/15	PL



SECTION A-A

UNLESS OTHERWISE SPECIFIED
DIMENSIONS ARE IN MM.
DECIMAL TOLERANCES ARE:
.X ± 0.25
.XX ± 0.10
.XXX ± 0.025
.XXXX ± 0.013
ANGLES: ± 0.5°

LightPath
TECHNOLOGIES

2603 CHALLENGER TECH CT., SUITE 100
ORLANDO, FL 32826

PROPRIETARY INFORMATION
THIS DOCUMENT CONTAINS PROPRIETARY INFORMATION OF LIGHTPATH TECHNOLOGIES AND IS NOT TO BE DISCLOSED OR REPRODUCED IN WHOLE OR PART, OR USED FOR MANUFACTURING FOR ANYONE OTHER THAN LIGHTPATH TECHNOLOGIES WITHOUT ITS WRITTEN CONSENT. NO RIGHT IS GRANTED TO DISCLOSE OR USE ANY INFORMATION CONTAINED IN SAID DOCUMENT.

DRAWN
ASYMMONS\ORL

TITLE
LENS CODE 354062

MATERIAL
D-ZK3(m)

SIZE
A2

DWG NO
0354062

REV
B

SOFTWARE
Pro/ENGINEER

SCALE:
10.00

THIRD ANGLE PROJECTION



SHEET
1 OF 1



DWG NO
0354062