

# Mounted Aspheric Lenses

- Cost effective solution for mounting Geltech aspheres
- Easy to handle optical assembly
- Durable stainless-steel housing
- Threaded extension for easy mounting
- Compact size

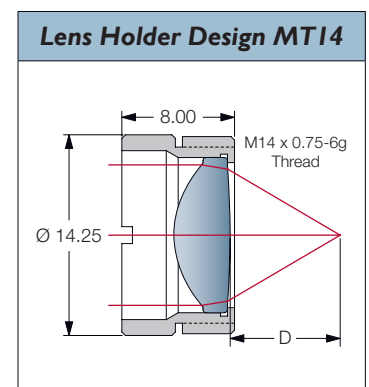
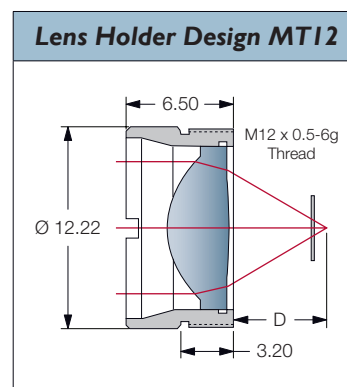
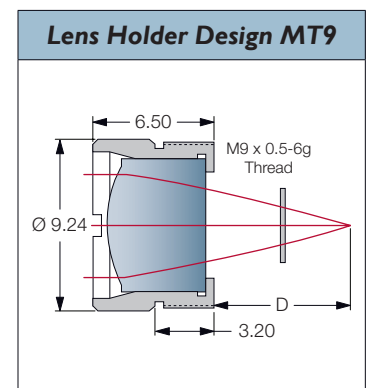
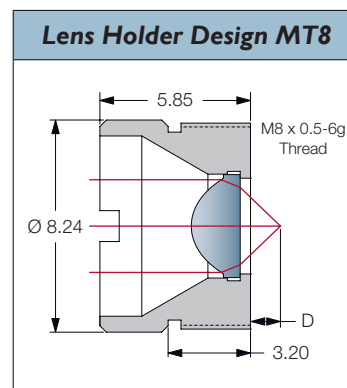
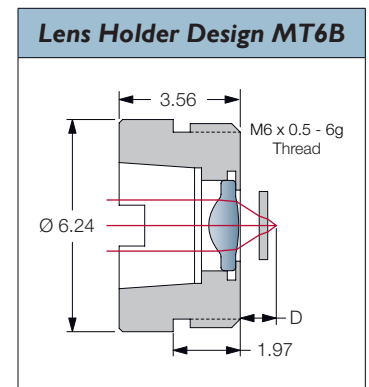
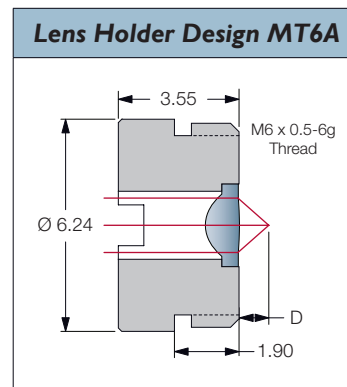
LightPath's line of mounted aspheric lenses makes assembly work quick and easy. The housings are made from durable stainless steel, which is suitable for welding or soldering. The mounts also have a threaded exterior, allowing you to simply screw the lens into place. Standard design mounts are available for 24 of our most popular lens types, but any of the lenses in the catalog can be mounted into a holder of your preference.



General Specifications and Tolerances	
Holder Material	Stainless Steel 304
Holder Outer Diameter	± 0.025 mm
Holder Inner Diameter	± 0.100 mm
Holder Length	± 0.100 mm
Length of Threaded Section	± 0.100 mm

Ordering Information				
Part Number	Holder Type	EFL (mm)	NA	D (mm)
352080Y-00-MT	MT9	3.89	0.55	2.47
352105Y-00-MT	MT9	5.50	0.54	3.331
352110Y-00-MT	MT9	6.24	0.4	3.12
352115Y-00-MT	MT12	6.75	0.52	4.270
352125Y-00-MT	MT14	10.00	0.50	7.505
352140Y-00-MT	MT6A	1.45	0.55	0.87
352150Y-00-MT	MT8	2.00	0.50	1.02
352170Y-00-MT	MT8	6.16	0.3	3.60
352220Y-00-MT	MT9	11.00	0.25	7.57
352230Y-00-MT	MT9	4.51	0.55	2.59
352240Y-00-MT	MT12	8.00	0.5	5.59
352260Y-00-MT	MT9	15.29	0.16	13.60
352280Y-00-MT	MT9	18.40	0.15	16.70
352330Y-00-MT	MT9	3.10	0.68	1.71
352340Y-00-MT	MT9	4.03	0.62	2.49
352350Y-00-MT	MT8	4.50	0.42	1.61
352440Y-00-MT	MT8	2.95	0.27/0.53	2.53
352610Y-00-MT	MT9	4.00	0.6	2.42
352673Y-00-MT	MT9	4.00	0.6	2.12
352710Y-00-MT	MT6B	1.49	0.50	1.10
352-A397Y-00-MT	MT9	11.00	0.30	9.915
354560Y-00-MT	MT9	13.86	0.18	11.74
355390Y-00-MT	MT8	2.75	0.68	1.16
355660Y-00-MT	MT8	2.97	0.6	1.26

\*\*Substitute AR coating letter for Y in the product number.



For mounts with Fiber Connectors, please see page\_\_.